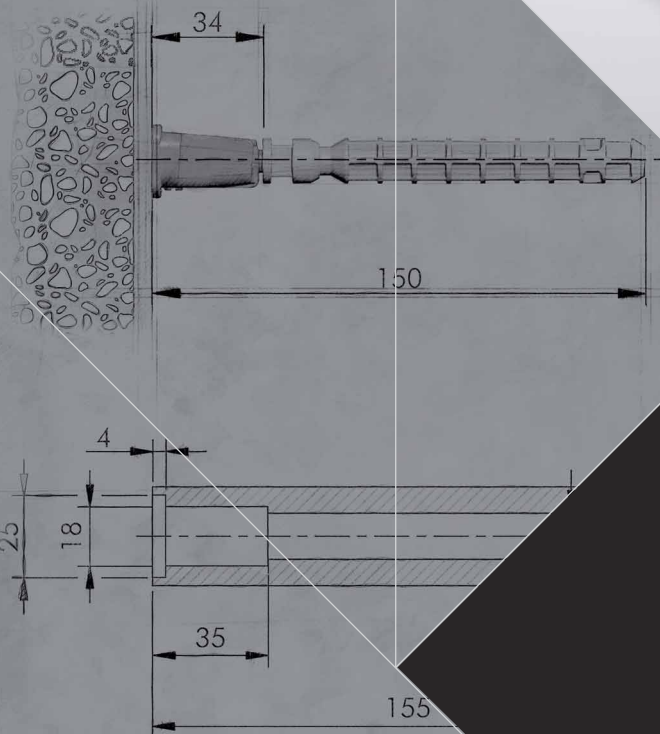
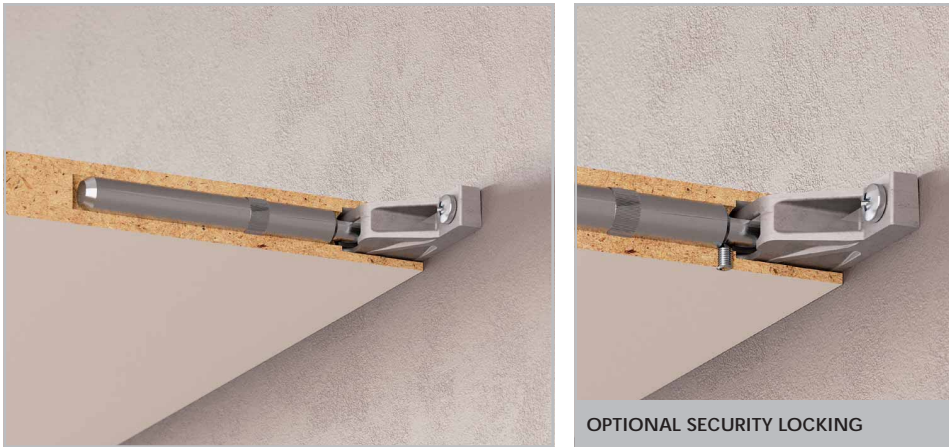


TRIADE PRO SYSTEM



WOOD & GLASS
SHELVING
SYSTEMS

TRIADE SLIM

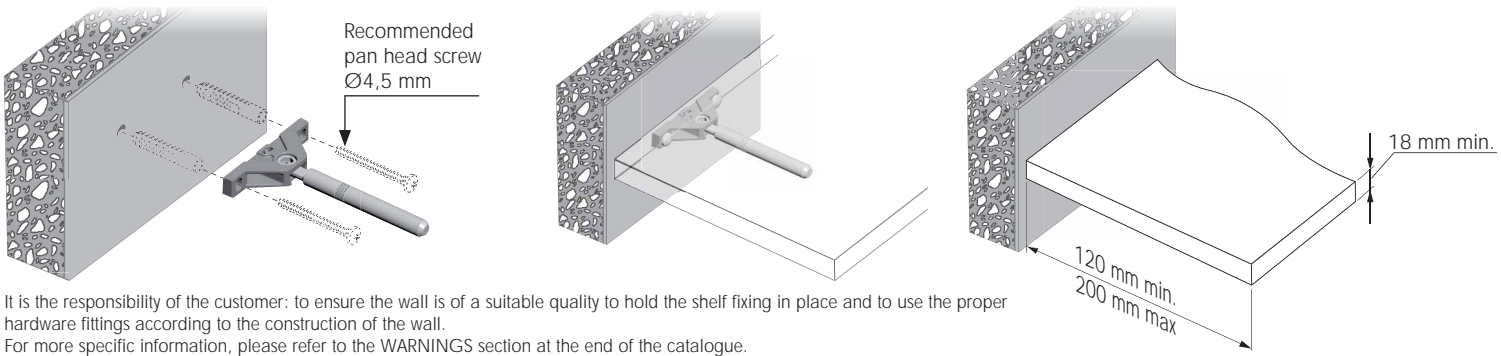


18 mm min.

15 kg per pair for shelf 200 mm deep

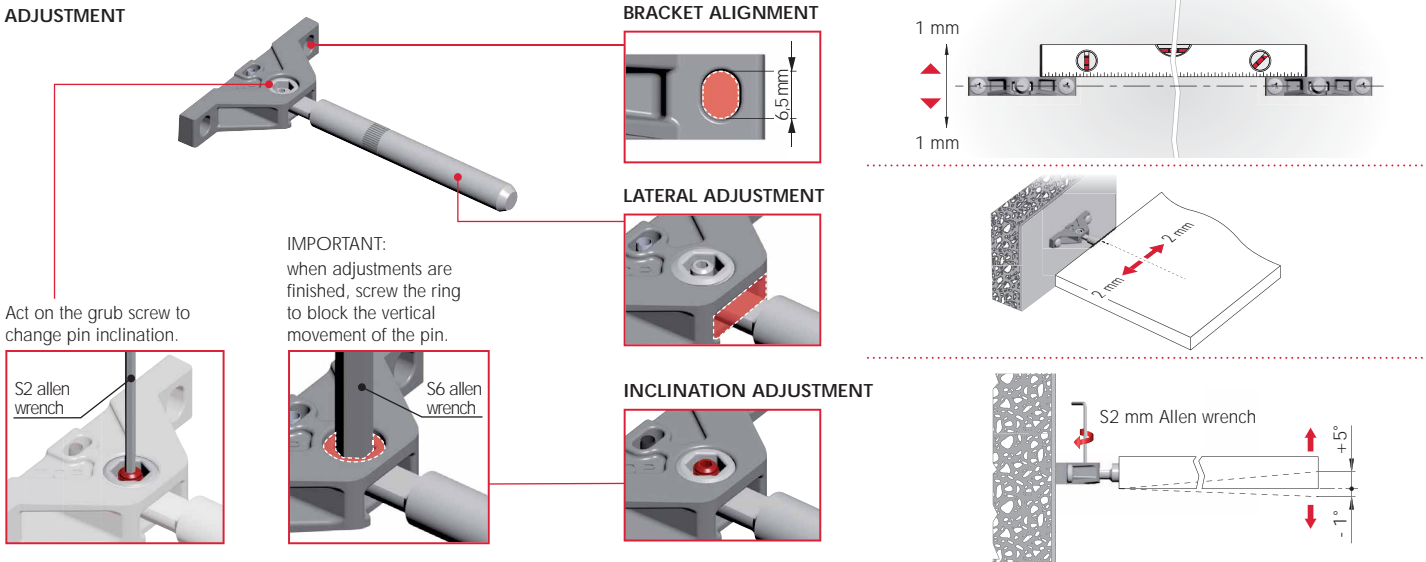
PAT. PENDING

SPECIFICATION



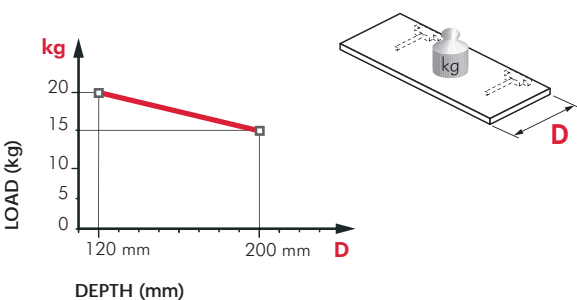
It is the responsibility of the customer: to ensure the wall is of a suitable quality to hold the shelf fixing in place and to use the proper hardware fittings according to the construction of the wall.
For more specific information, please refer to the WARNINGS section at the end of the catalogue.

ADJUSTMENT

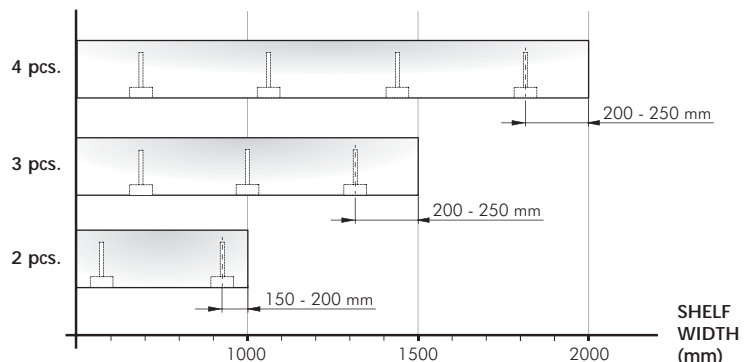


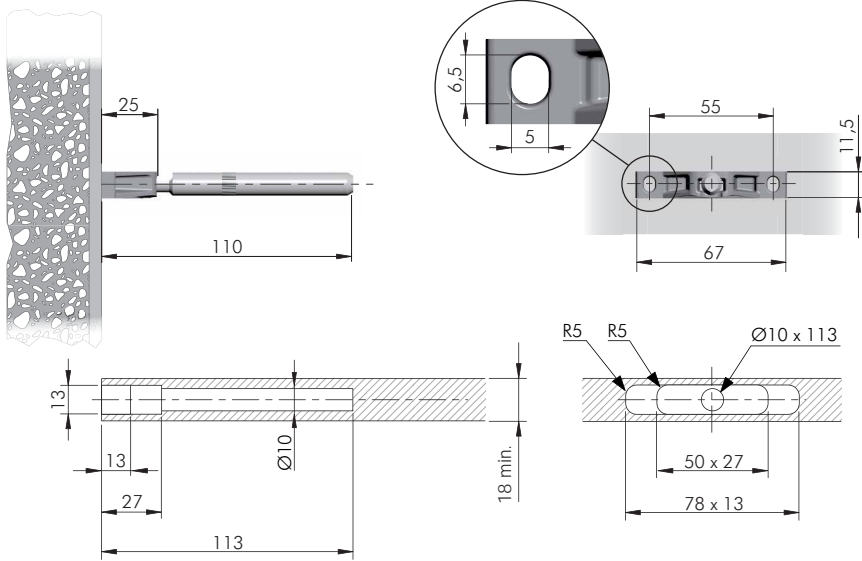
LOADING CAPACITY CHART

(The figures refer to 2 shelf supports)



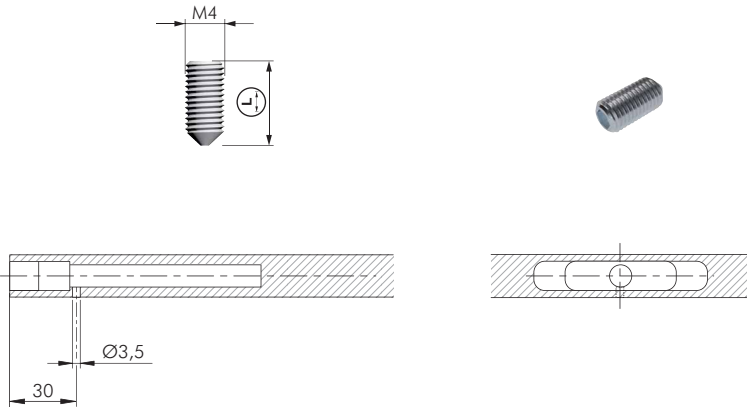
RECOMMENDED NUMBER OF TRIADE SLIM PER SHELF





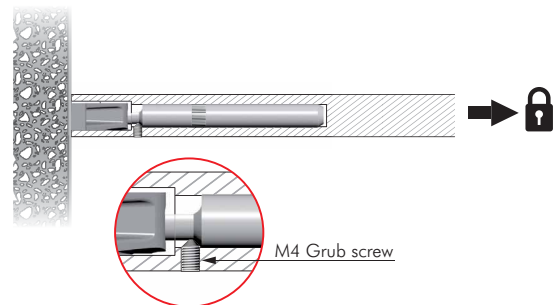
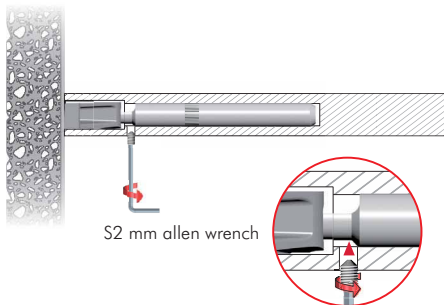
= open ended wrenches S2 and S6
 = 100 pcs.
1622501000

OPTIONAL DRILLING FOR SECURITY LOCKING



= S2 mm
 = on request

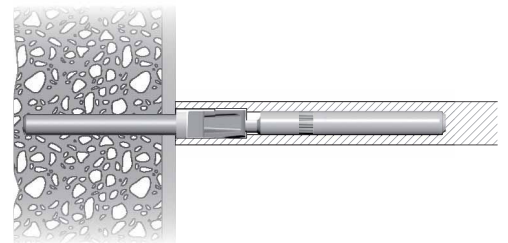
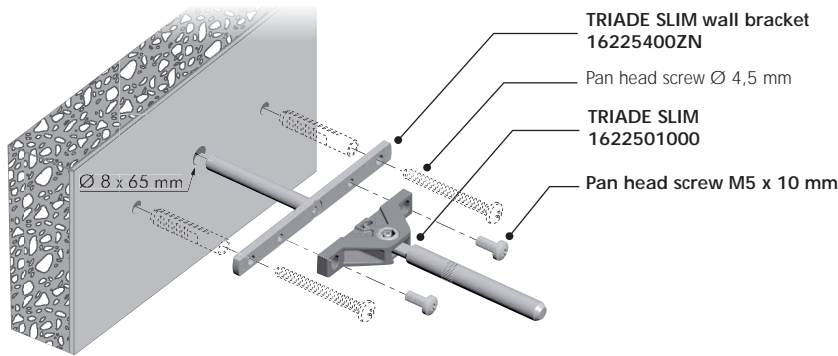
21105210ZN | 6 | 18-20 mm
21105180ZN | 10 | 25 mm



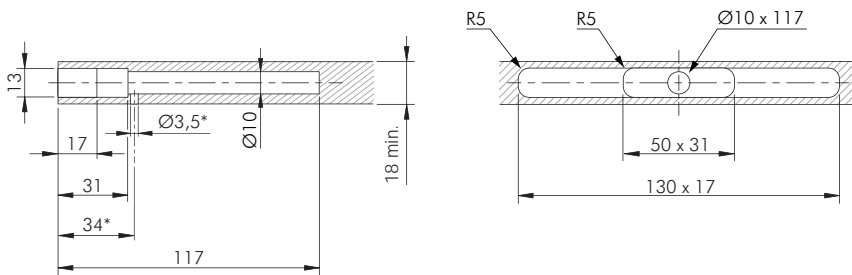
TRIADE SLIM AND BRACKET



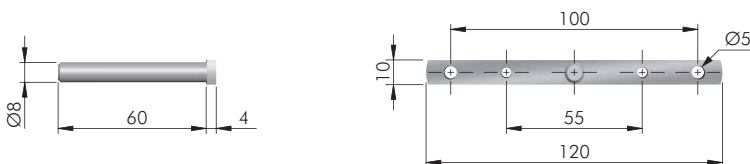
OPTIONAL SECURITY LOCKING



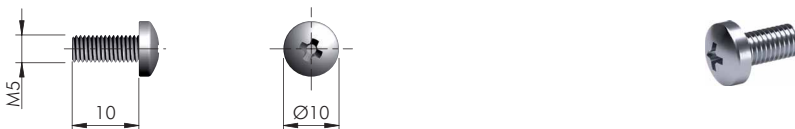
The wall bracket guarantees a more stable fixing to the wall.
It is the responsibility of the customer: to ensure the wall is of a suitable quality to hold the shelf fixing in place and to use the proper hardware fittings according to the construction of the wall. For more specific information, please refer to the WARNINGS section at the end of the catalogue.



* Optional drilling for security locking with M4 grub screw placed underneath in alignment with the cavity. For details refer to Triade Slim section.



FIXING ACCESSORY



ST = 100 pcs.

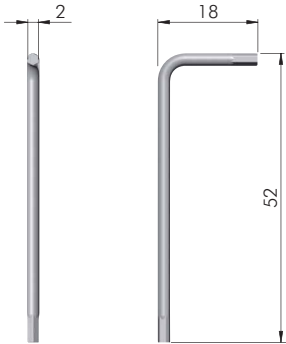
123 **16225400ZN**






= M5 = PZ2

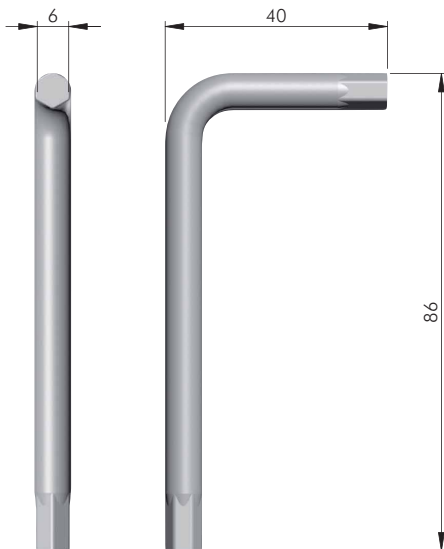
ST = on request.






123 **60334140ZN**

TRIADE SLIM ACCESSORIES



 = S2	 = 500 pcs.
	
 123	
62501090Z N	



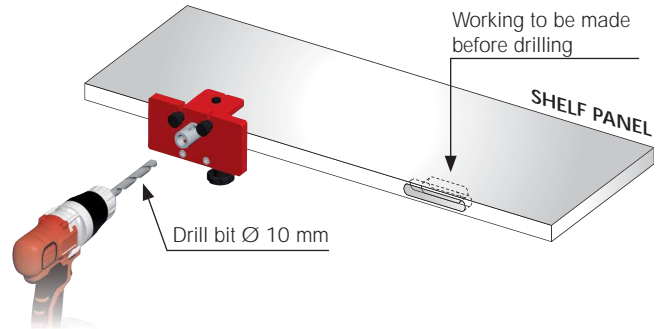
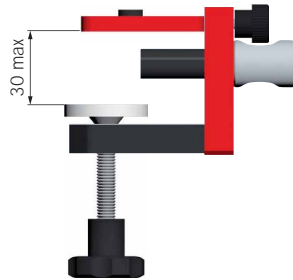
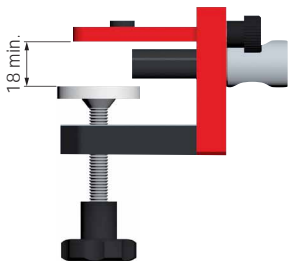
 = S6	 = 500 pcs.
	
 123	
62501040Z N	

DRILLING JIG FOR TRIADE SLIM

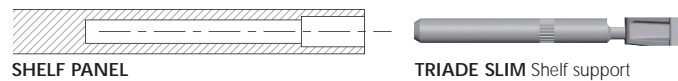
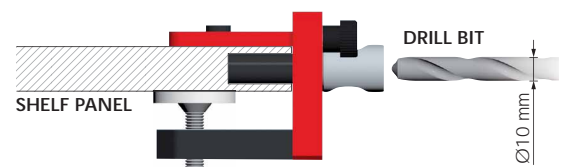
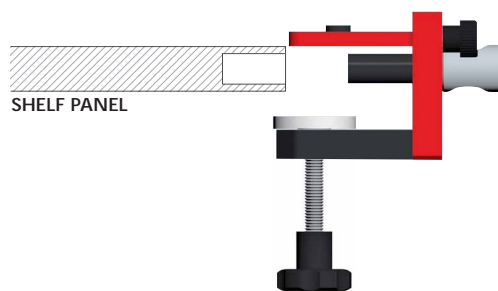


18 mm MIN

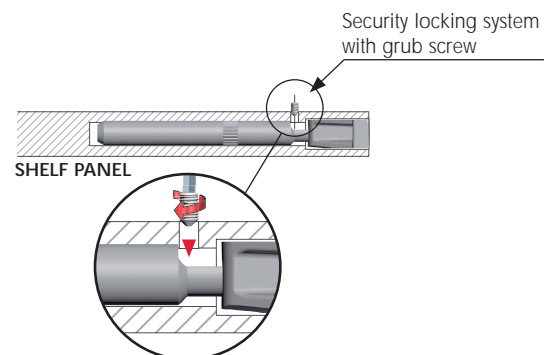
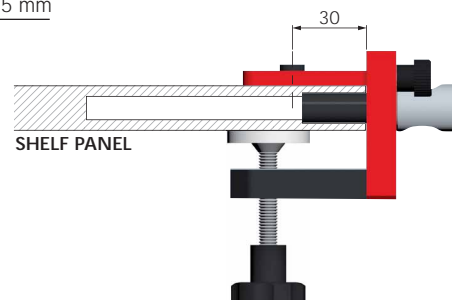
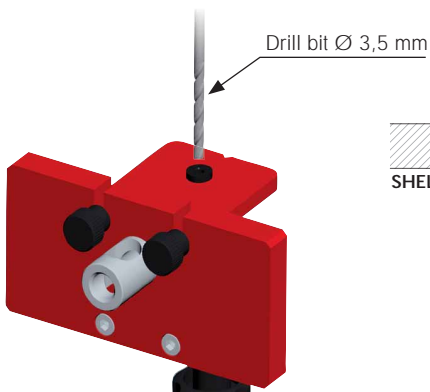
GENERAL SPECIFICATIONS



APPLICATION



OPTIONAL DRILLING FOR SECURITY LOCKING



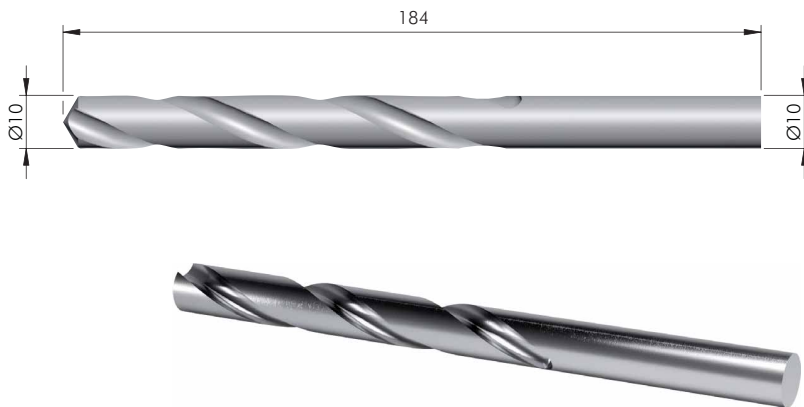


TRIADE SLIM DRILLING JIG



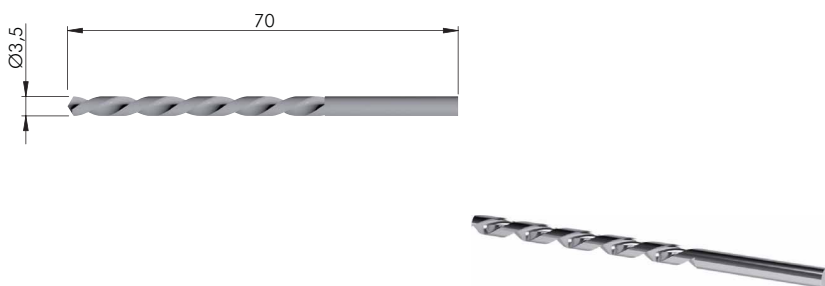
AL	ST	EP	= on request
YOJG0134RO			

DRILL BITS



HSS	= on request
YOJG054400	

NOTE: For drilling jig we recommend to use precision-ground steel drill bit HSS-G.



HSS	= on request
YOJG054100	

NOTE: For drilling jig we recommend to use precision-ground steel drill bit HSS-G.

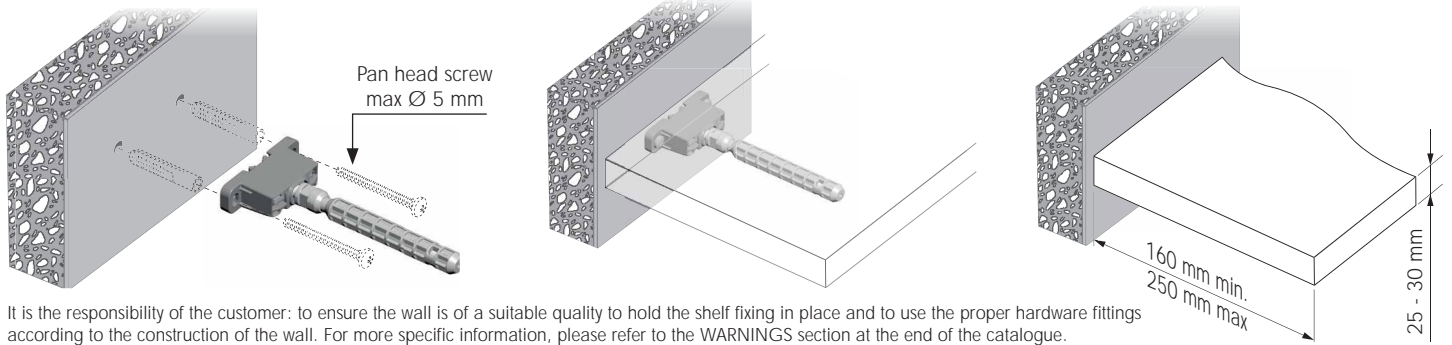
TRIADE PRO MINI



25 mm min.

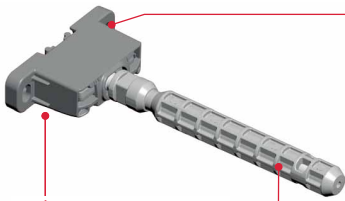
15 kg per pair for shelf 250 mm deep

SPECIFICATION



It is the responsibility of the customer: to ensure the wall is of a suitable quality to hold the shelf fixing in place and to use the proper hardware fittings according to the construction of the wall. For more specific information, please refer to the WARNINGS section at the end of the catalogue.

ADJUSTMENT

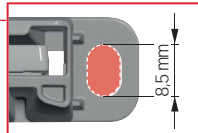


VERY IMPORTANT

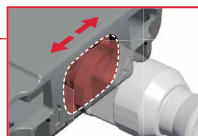


Screw to lock when adjustments are finished.

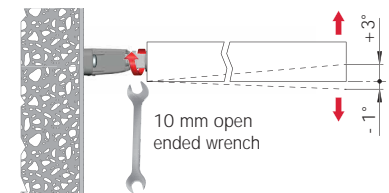
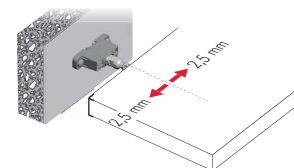
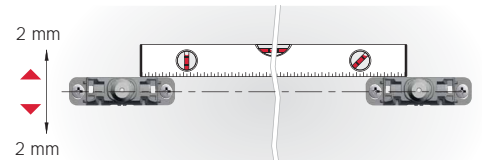
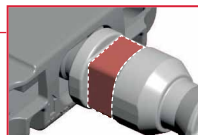
BRACKET ALIGNMENT



LATERAL ADJUSTMENT

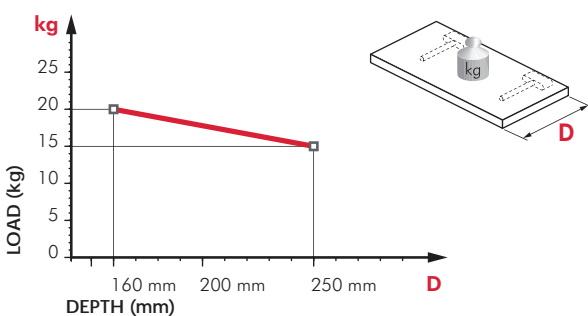


INCLINATION ADJUSTMENT

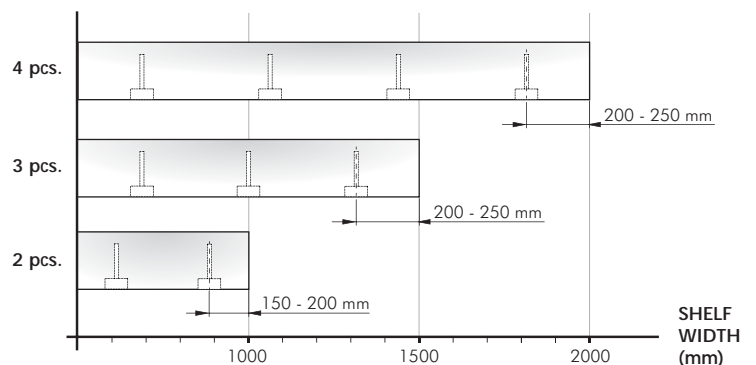


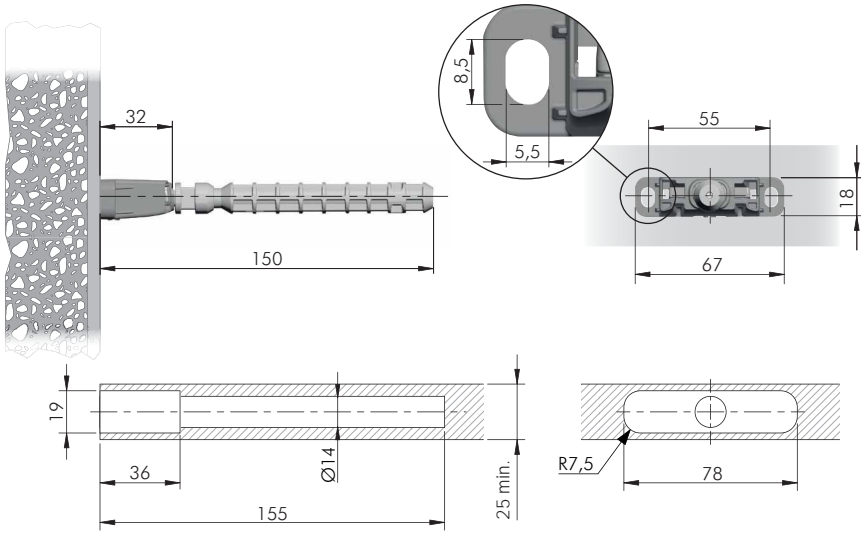
LOADING CAPACITY CHART

(The figures refer to 2 shelf supports)



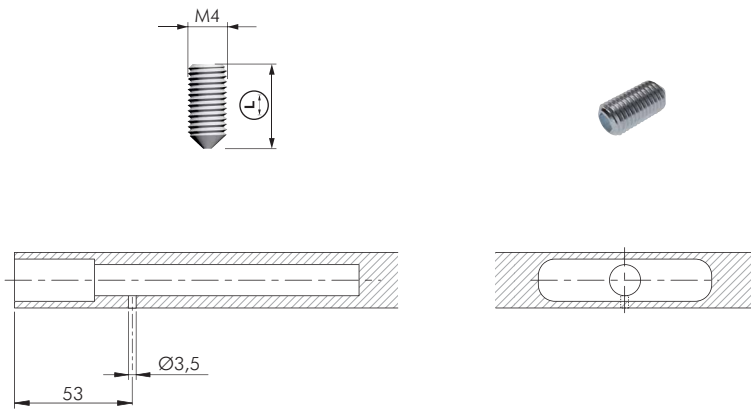
RECOMMENDED NUMBER OF TRIADE PRO MINI PER SHELF



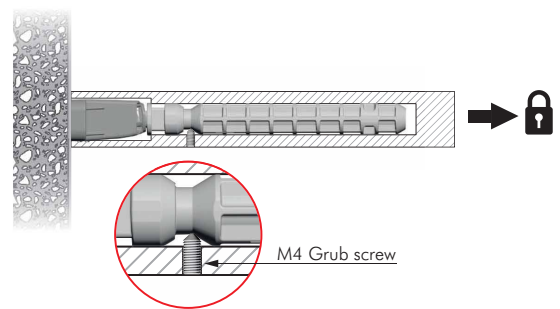
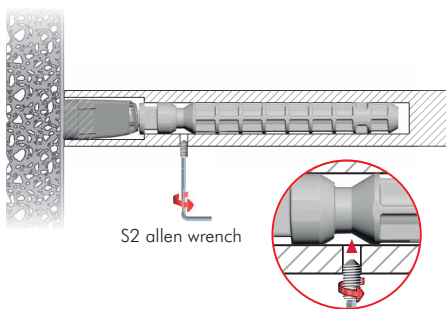


= PZ2	= open ended wrench 10 mm		
ZA	ST	EP	= 50 pcs.
123		1623001000	

OPTIONAL DRILLING FOR SECURITY LOCKING



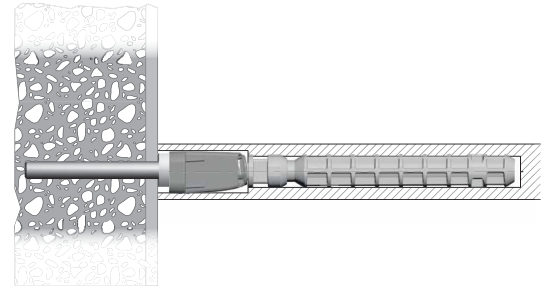
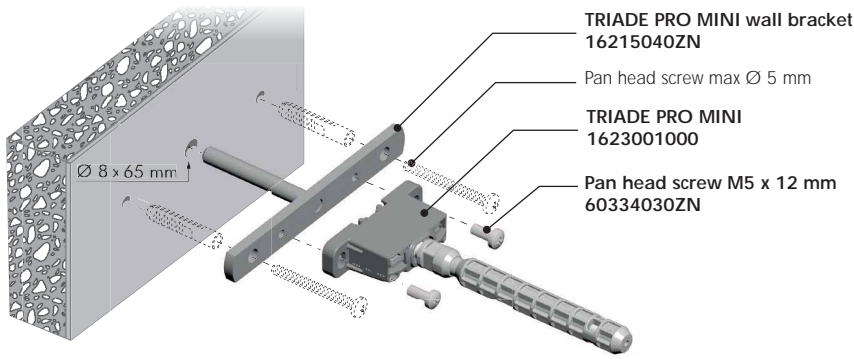
= S2	= on request	
ST		
123		
21105170ZN	8	25
21105180ZN	10	30



TRIADE PRO MINI AND BRACKET

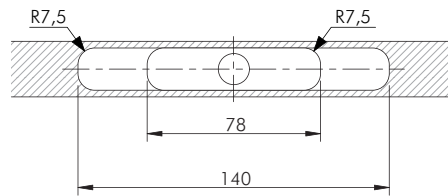
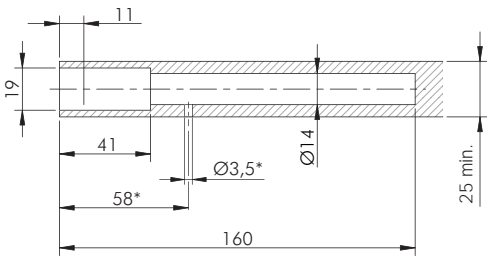


25 mm min.

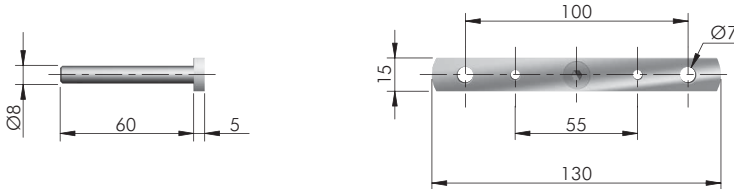


The wall bracket guarantees a more stable fixing to the wall.

It is the responsibility of the customer: to ensure the wall is of a suitable quality to hold the shelf fixing in place and to use the proper hardware fittings according to the construction of the wall. For more specific information, please refer to the WARNINGS section at the end of the catalogue.



* Optional drilling for security locking with M4 grub screw placed underneath in alignment with the cavity. For details refer to Triade Pro Mini section.

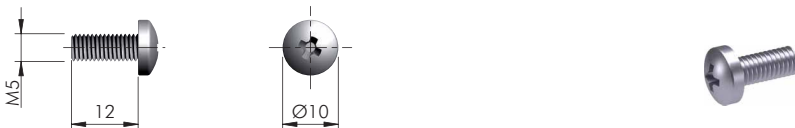


ST = 100 pcs.

123

16215040ZN

FIXING ACCESSORY



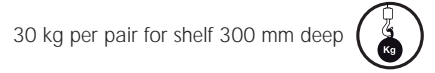
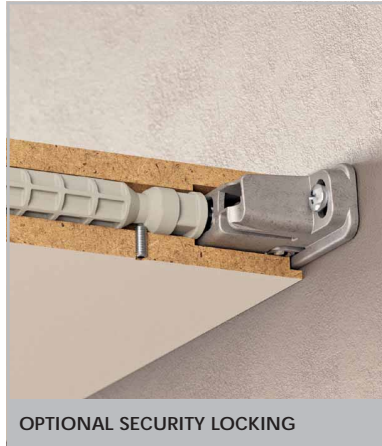
= M5 = PZ2

ST = 500 pcs.

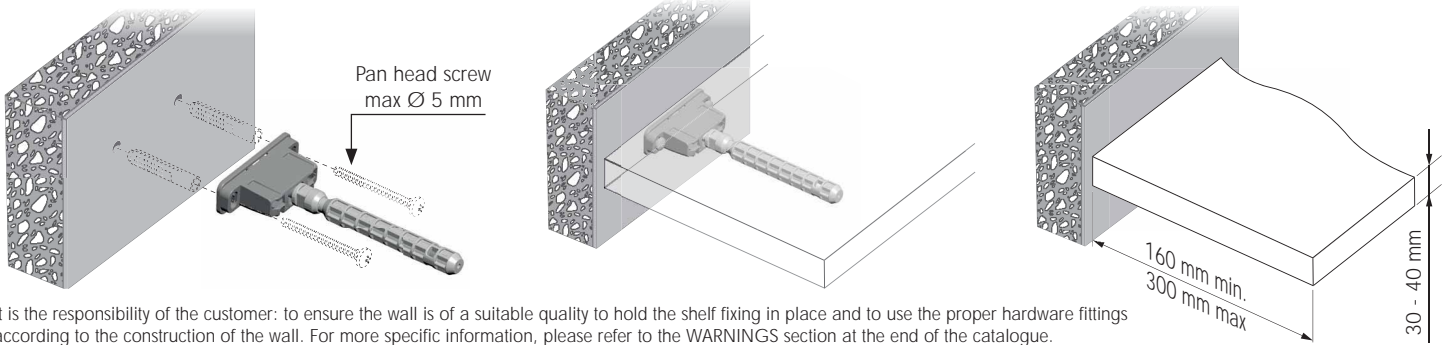
123

60334030ZN

TRIADE PRO

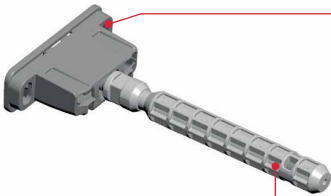


SPECIFICATION



It is the responsibility of the customer: to ensure the wall is of a suitable quality to hold the shelf fixing in place and to use the proper hardware fittings according to the construction of the wall. For more specific information, please refer to the WARNINGS section at the end of the catalogue.

ADJUSTMENT

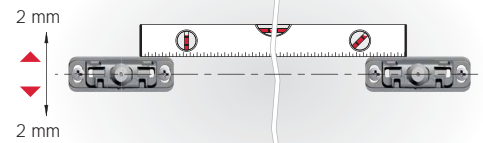
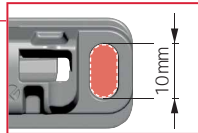


VERY IMPORTANT

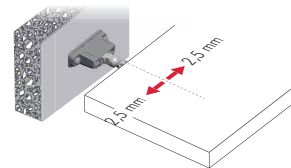
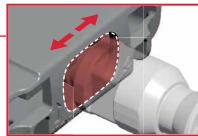


Screw to lock when adjustments are finished.

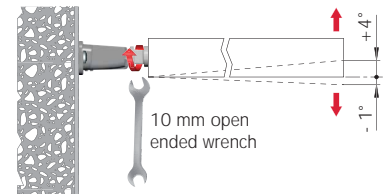
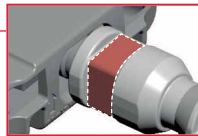
BRACKET ALIGNMENT



LATERAL ADJUSTMENT

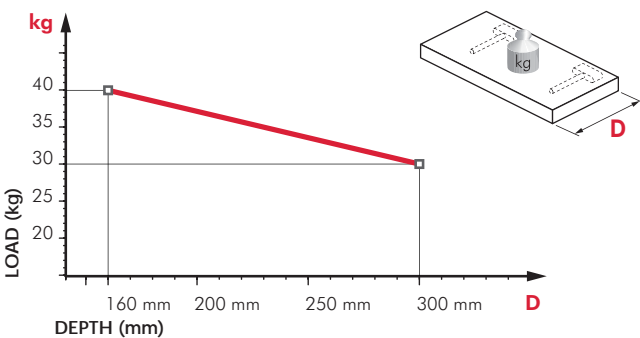


INCLINATION ADJUSTMENT

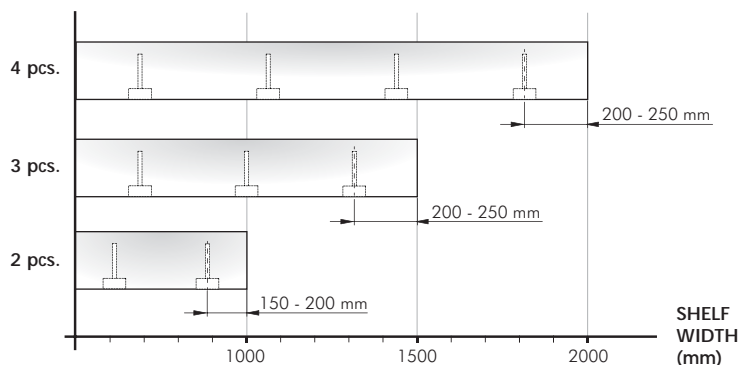


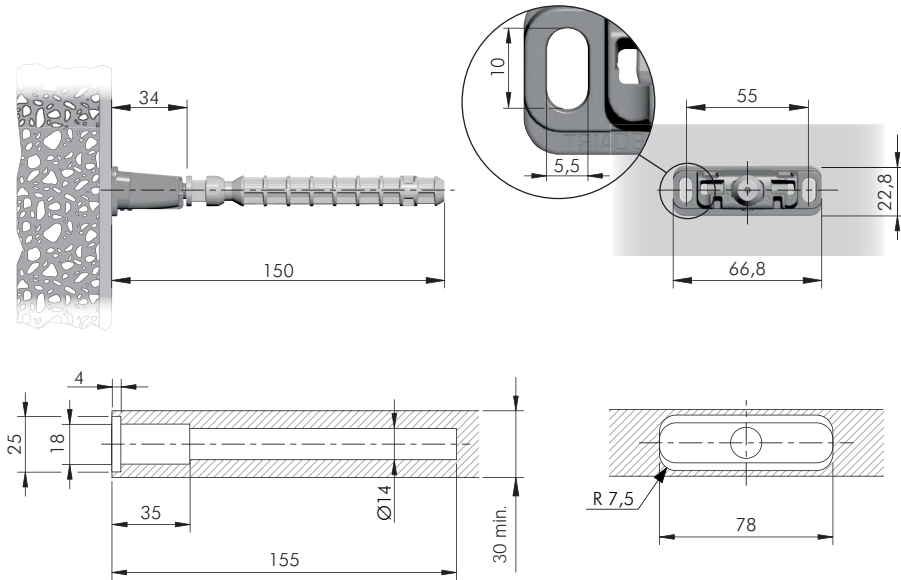
LOADING CAPACITY CHART

(The figures refer to 2 shelf supports)



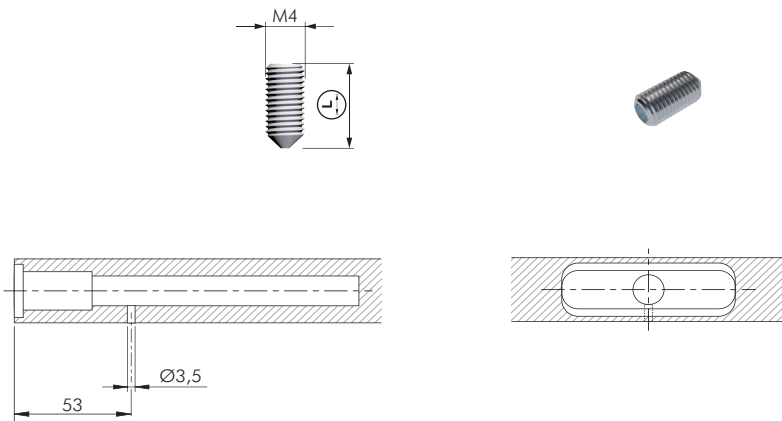
RECOMMENDED NUMBER OF TRIADE PRO PER SHELF



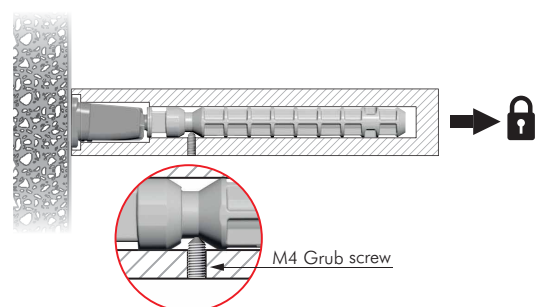
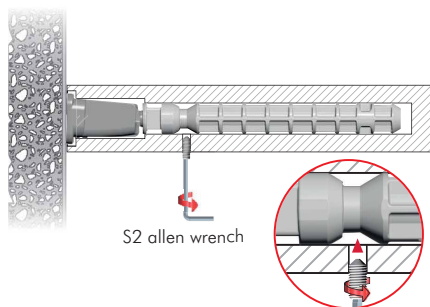


	= PZ2		= open ended wrench 10 mm
	= 50 pcs.		
1623002000			

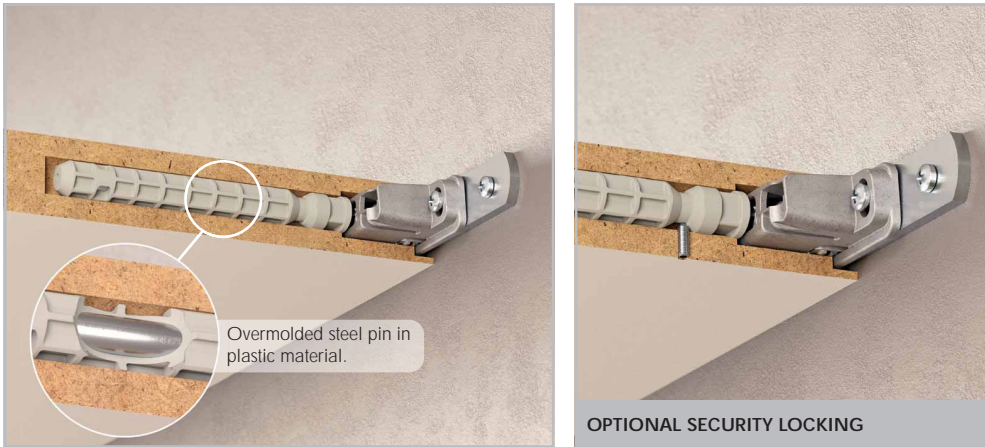
OPTIONAL DRILLING FOR SECURITY LOCKING



	= S2		= on request
21105180ZN	10	30	
21105220ZN	16	40	

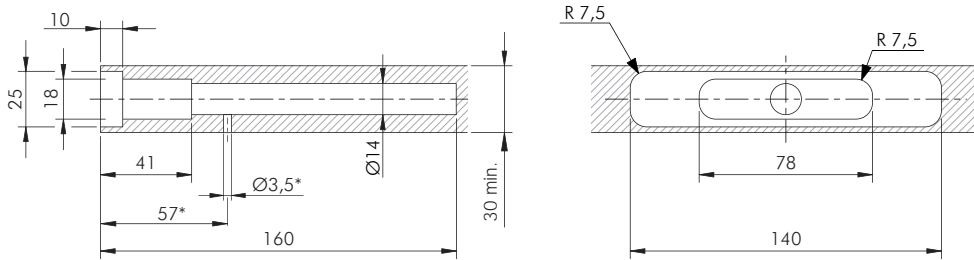


TRIADE PRO AND BRACKET

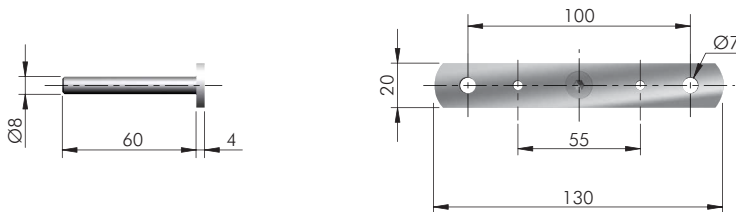


The wall bracket guarantees a more stable fixing to the wall.

It is the responsibility of the customer: to ensure the wall is of a suitable quality to hold the shelf fixing in place and to use the proper hardware fittings according to the construction of the wall. For more specific information, please refer to the WARNINGS section at the end of the catalogue.

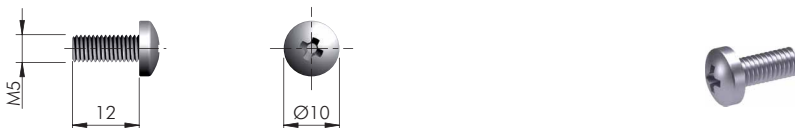


* Optional drilling for security locking with M4 grub screw placed underneath in alignment with the cavity. For details refer to Triade Pro section.



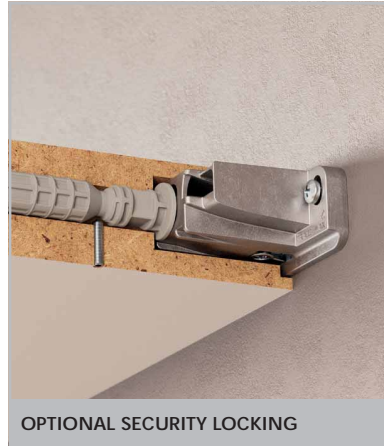
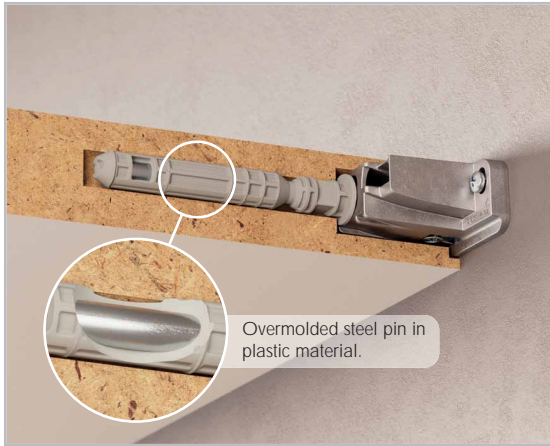
ST	= 100 pcs.
16215020ZN	

FIXING ACCESSORY



= M5	= PZ2	
ST		= 500 pcs.
60334030ZN		

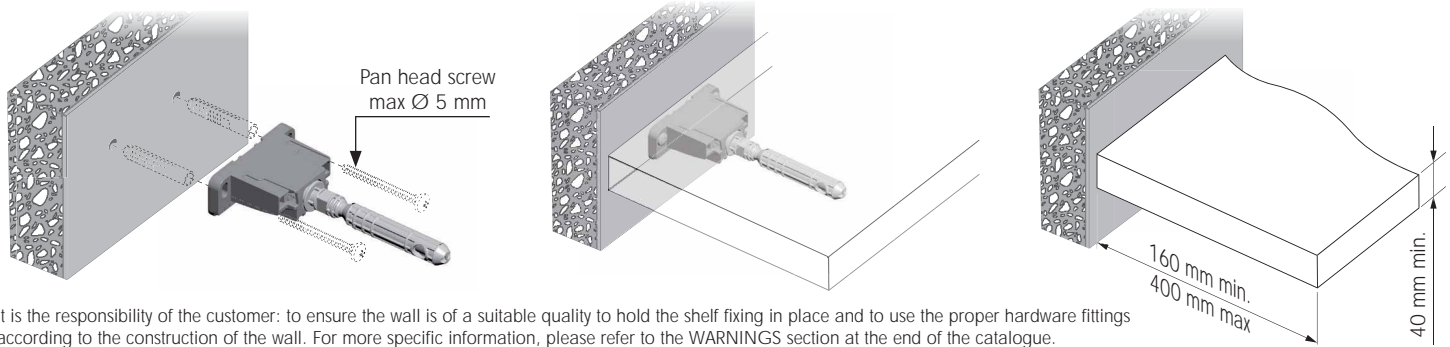
TRIADE PRO MAXI



40 mm min.

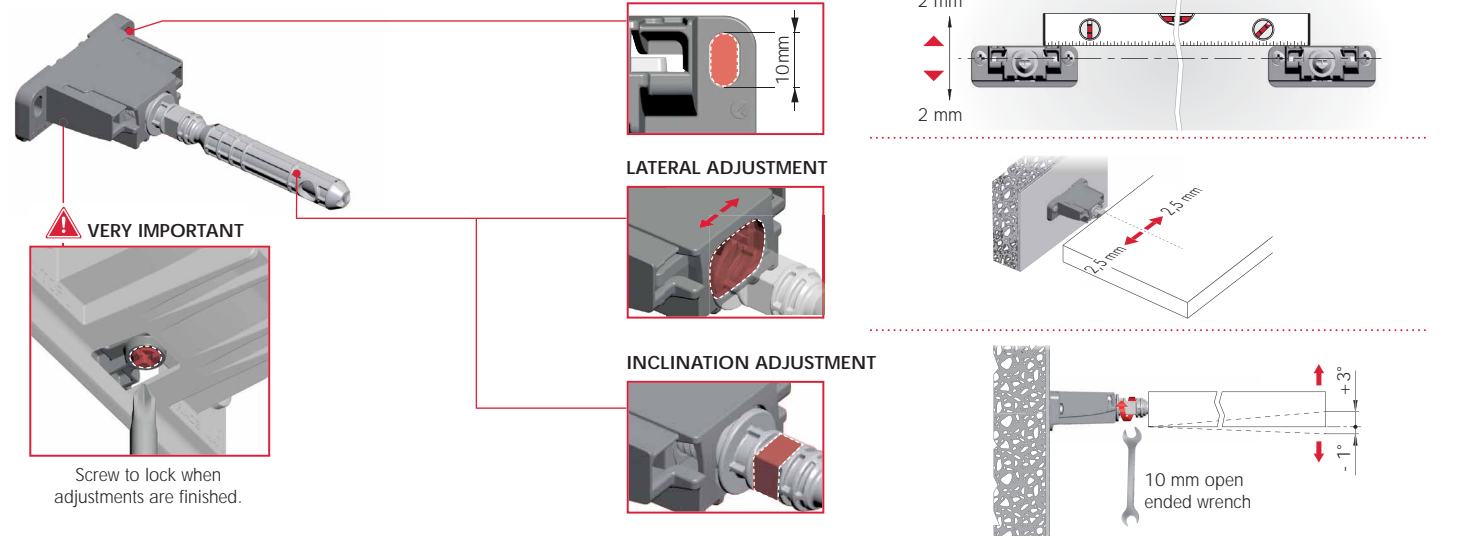
40 kg per pair for shelf 400 mm deep

SPECIFICATION



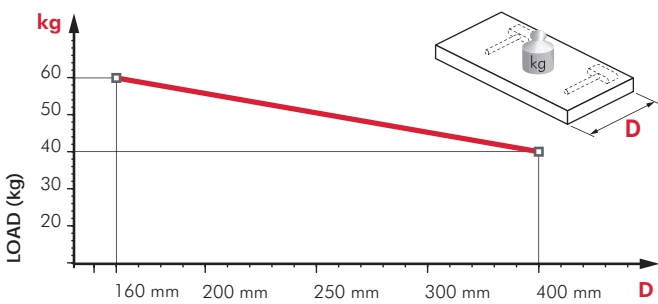
It is the responsibility of the customer: to ensure the wall is of a suitable quality to hold the shelf fixing in place and to use the proper hardware fittings according to the construction of the wall. For more specific information, please refer to the WARNINGS section at the end of the catalogue.

ADJUSTMENT

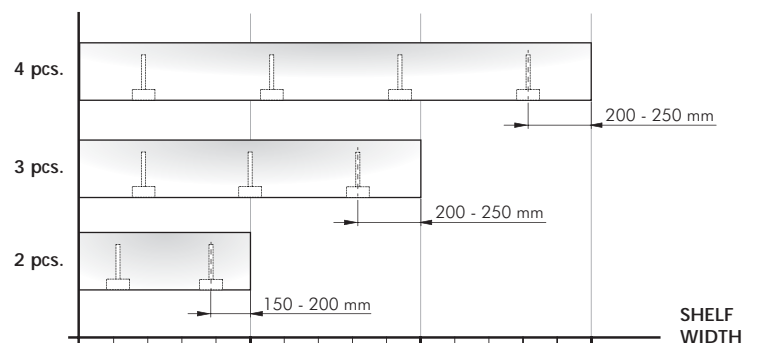


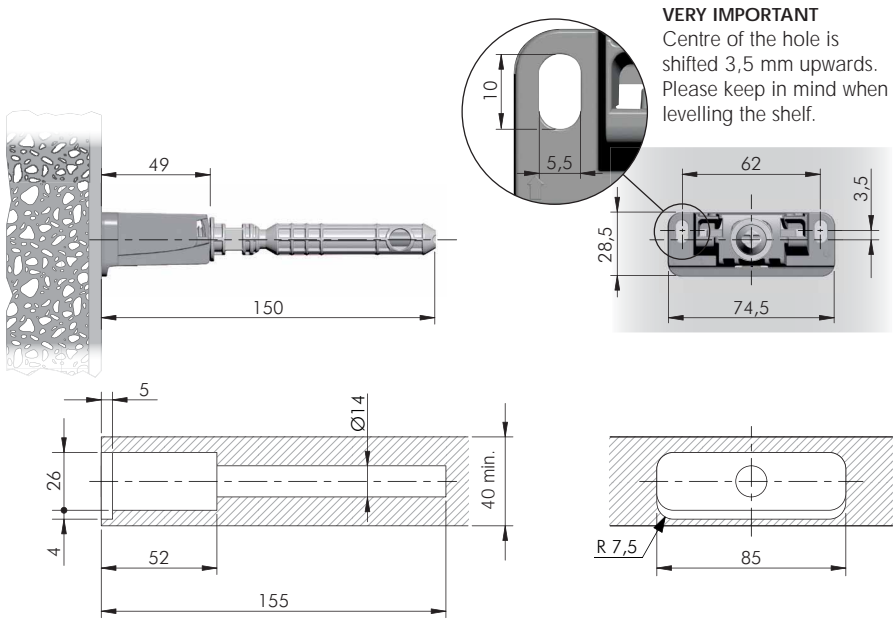
LOADING CAPACITY CHART

(The figures refer to 2 shelf supports)



RECOMMENDED NUMBER OF TRIADE PRO MAXI PER SHELF



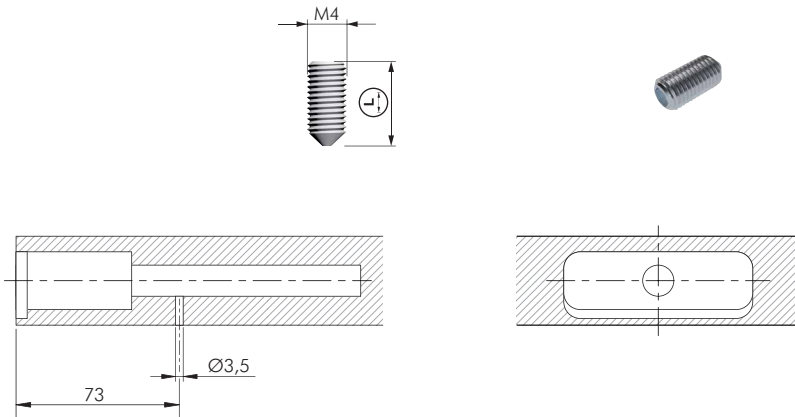


VERY IMPORTANT
Centre of the hole is shifted 3,5 mm upwards. Please keep in mind when levelling the shelf.

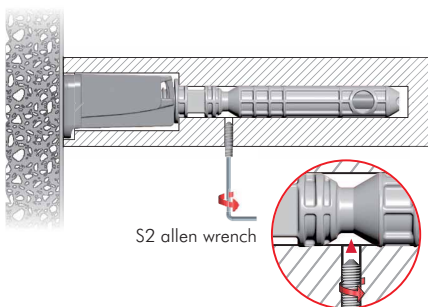


= PZ2	= open ended wrench 12 mm		
ZA	ST	EP	= 50 pcs.
		1623003000	

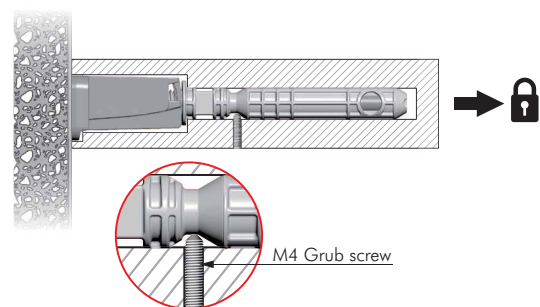
OPTIONAL DRILLING FOR SECURITY LOCKING



= S2	= on request	
ST		
21105220Zn	16	40
21105060Zn	20	50

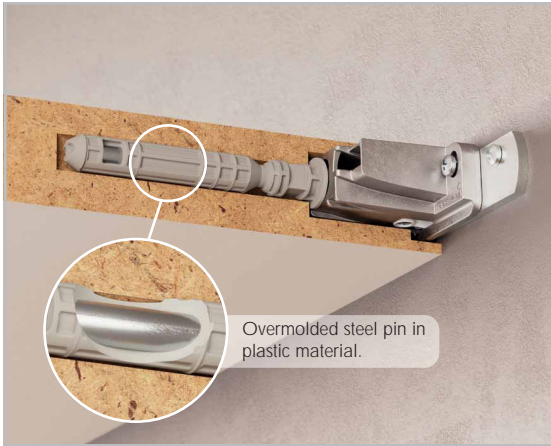


S2 allen wrench

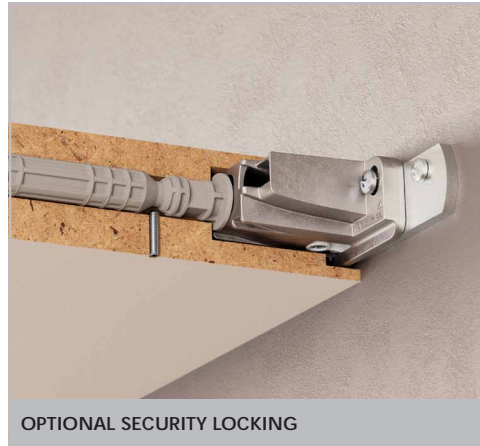


M4 Grub screw

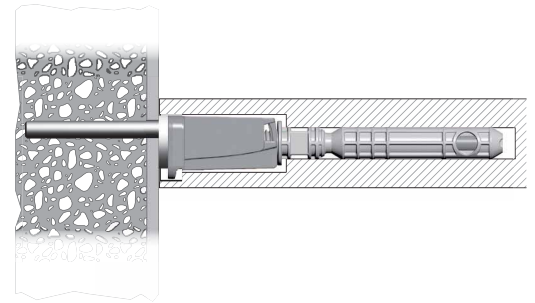
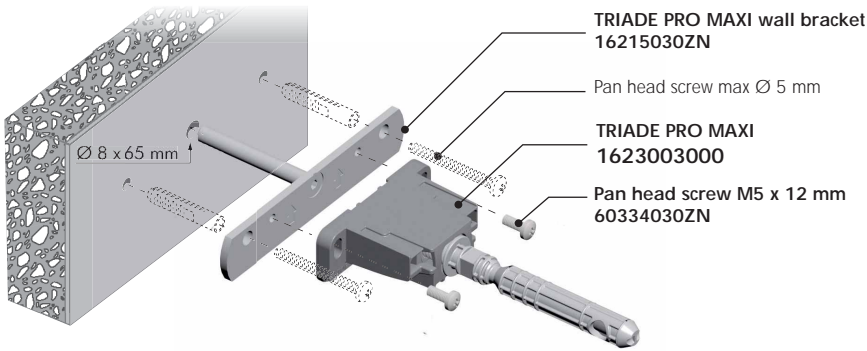
TRIADE PRO MAXI AND BRACKET



Overmolded steel pin in plastic material.

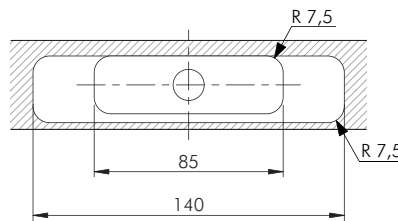
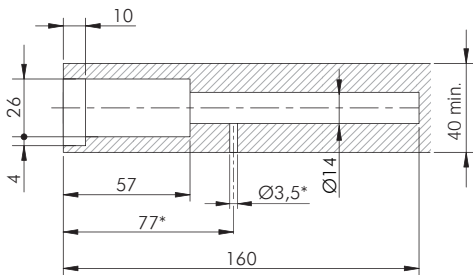


OPTIONAL SECURITY LOCKING

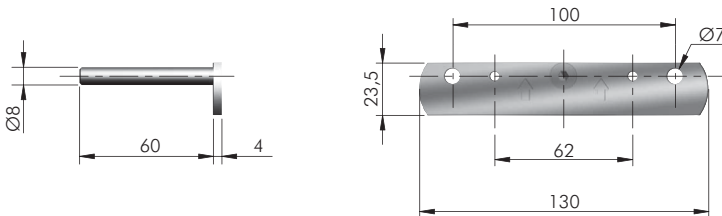


The wall bracket guarantees a more stable fixing to the wall.

It is the responsibility of the customer: to ensure the wall is of a suitable quality to hold the shelf fixing in place and to use the proper hardware fittings according to the construction of the wall. For more specific information, please refer to the WARNINGS section at the end of the catalogue.



* Optional drilling for security locking with M4 grub screw placed underneath in alignment with the cavity. For details refer to Triade Pro Maxi section.

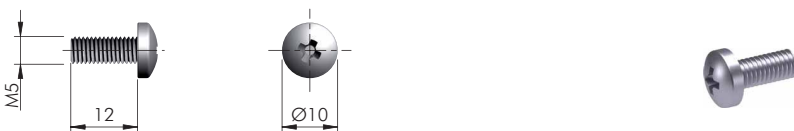


ST = 100 pcs.

123

16215030ZN

FIXING ACCESSORY



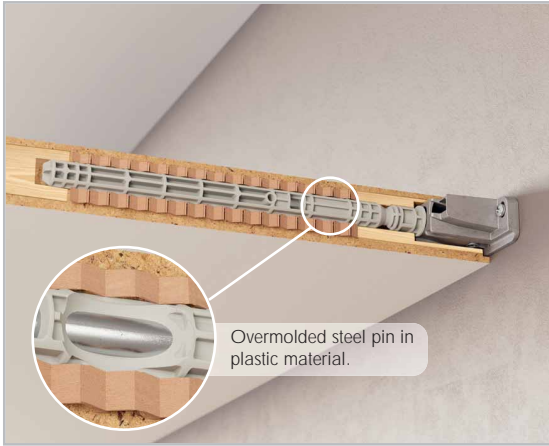
= M5 = PZ2 = 500 pcs.

ST

123

60334030ZN

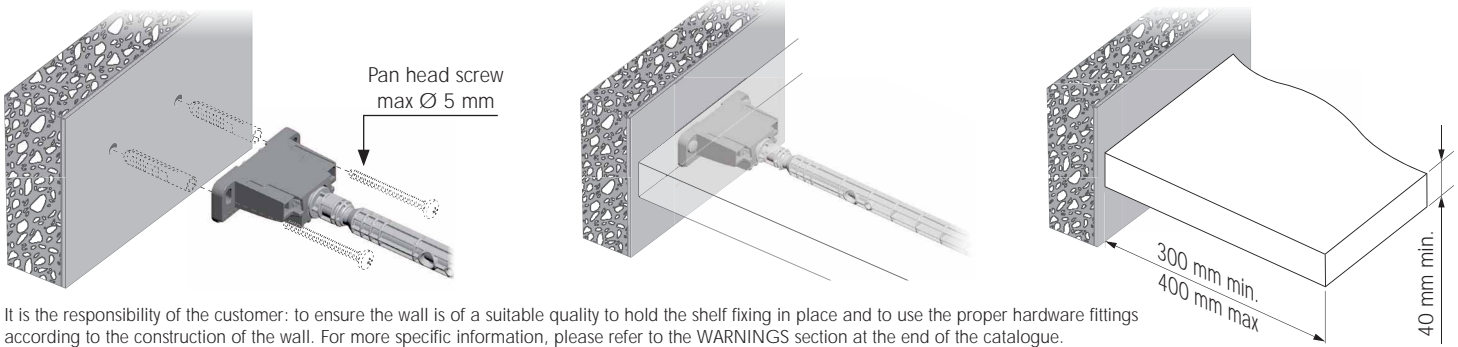
TRIADE PRO XXL



40 mm min.

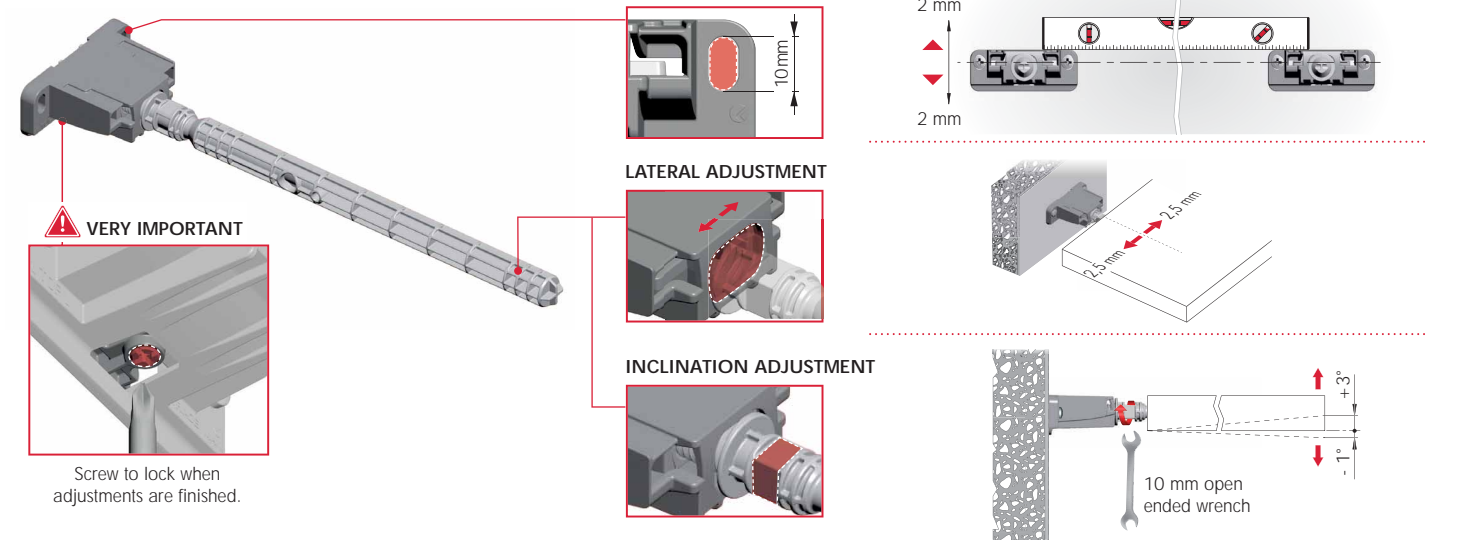
40 kg per pair
for shelf 400 mm deep

SPECIFICATION



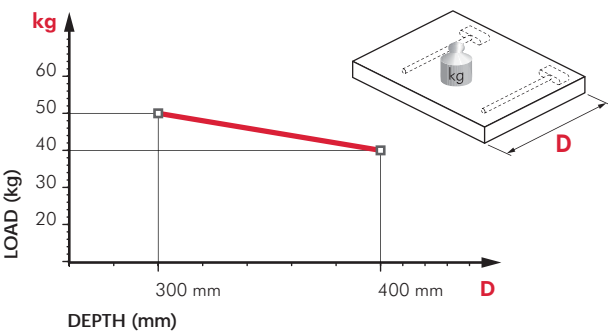
It is the responsibility of the customer: to ensure the wall is of a suitable quality to hold the shelf fixing in place and to use the proper hardware fittings according to the construction of the wall. For more specific information, please refer to the WARNINGS section at the end of the catalogue.

ADJUSTMENT

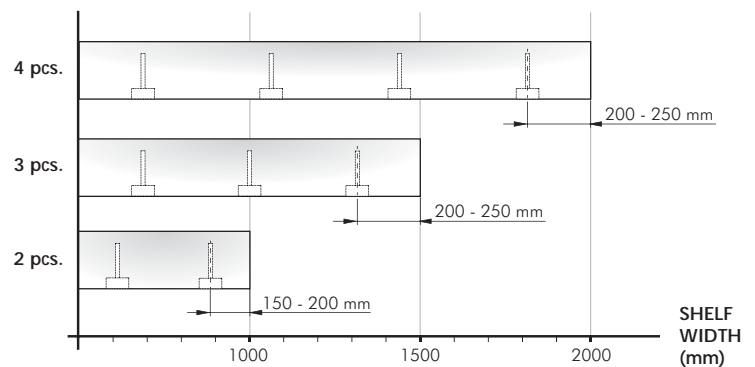


LOADING CAPACITY CHART

(The figures refer to 2 shelf supports)

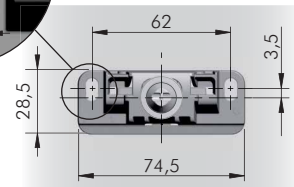
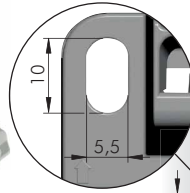
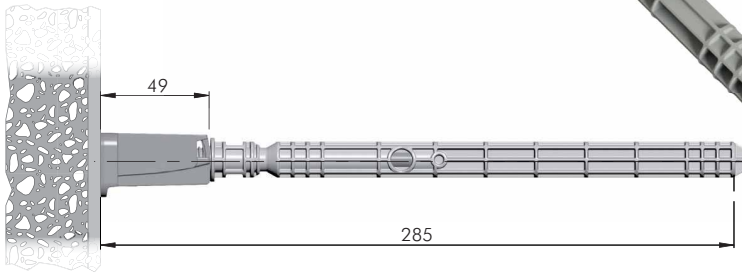


RECOMMENDED NUMBER OF TRIADE PRO XXL PER SHELF

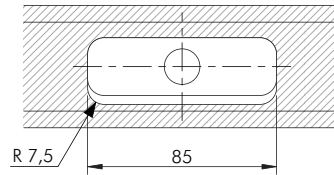
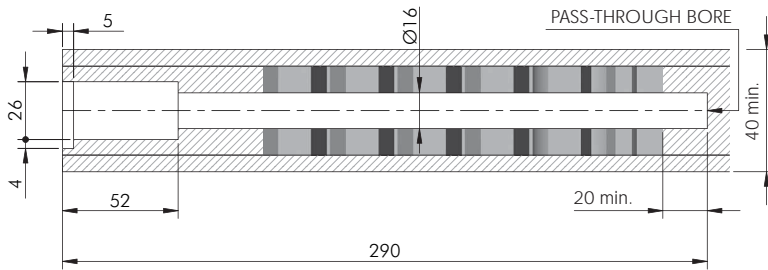




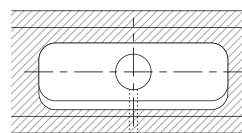
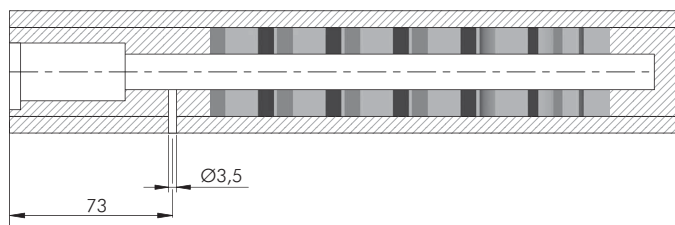
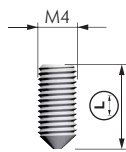
	= PZ2		= open ended wrench 12 mm
	ZA		ST
	EP		= 25 pcs.
	1623004000		



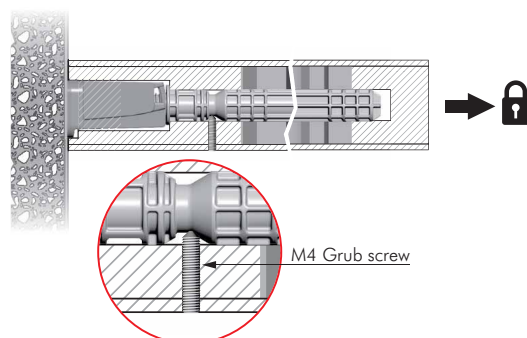
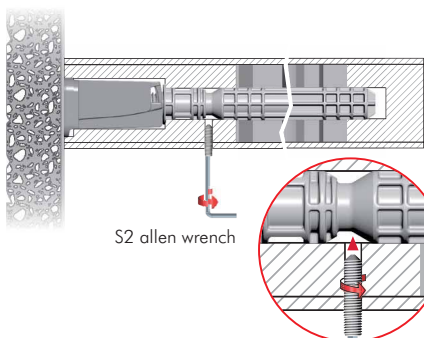
VERY IMPORTANT
Centre of the hole is shifted 3,5 mm upwards. Please keep in mind when levelling the shelf.



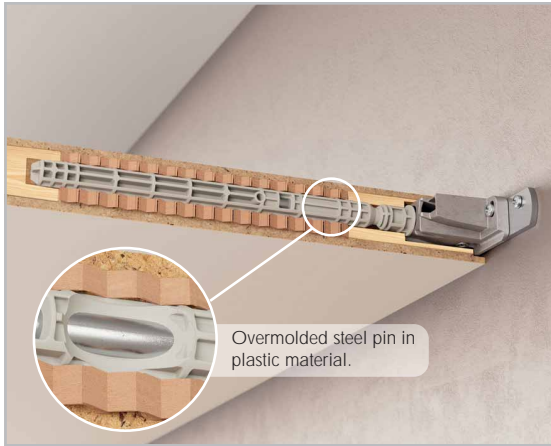
OPTIONAL DRILLING FOR SECURITY LOCKING



	= S2		= on request
	ST		L
21105190ZN	14	40	
21105060ZN	20	50	



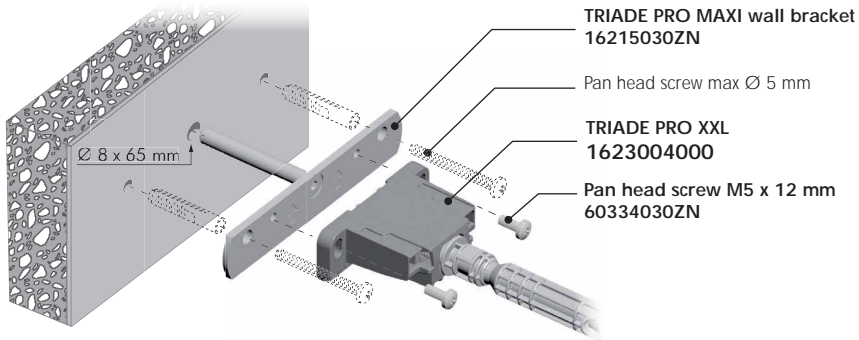
TRIADE PRO XXL AND BRACKET



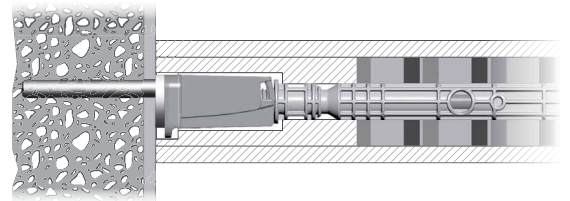
Overmolded steel pin in plastic material.



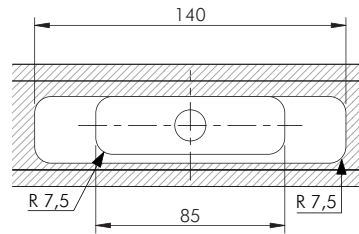
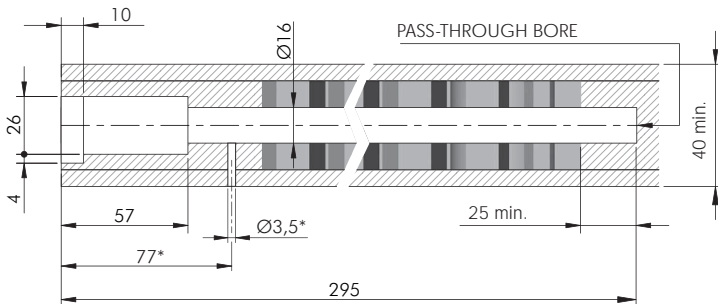
OPTIONAL SECURITY LOCKING



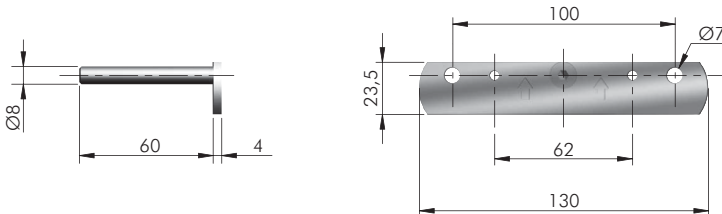
- TRIADE PRO MAXI wall bracket
16215030ZN
- Pan head screw max Ø 5 mm
- TRIADE PRO XXL
1623004000
- Pan head screw M5 x 12 mm
60334030ZN



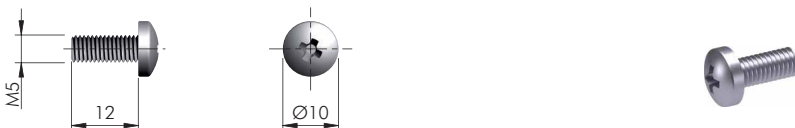
It is the responsibility of the customer: to ensure the wall is of a suitable quality to hold the shelf fixing in place and to use the proper hardware fittings according to the construction of the wall. For more specific information, please refer to the WARNINGS section at the end of the catalogue.



* Optional drilling for security locking with M4 grub screw placed underneath in alignment with the cavity. For details refer to Triade Pro XXL section.



FIXING ACCESSORY



ST = 100 pcs.

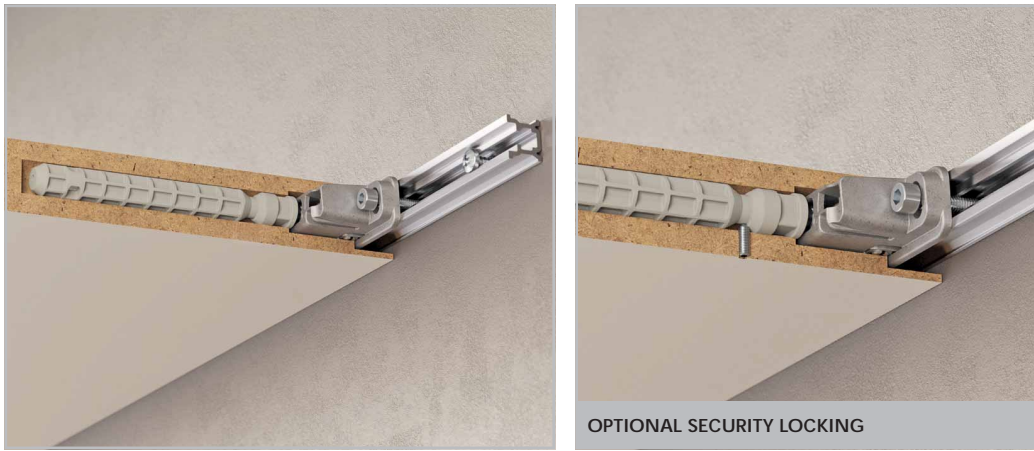
123 **16215030ZN**

= M5 = PZ2 = 500 pcs.

ST 123 **60334030ZN**



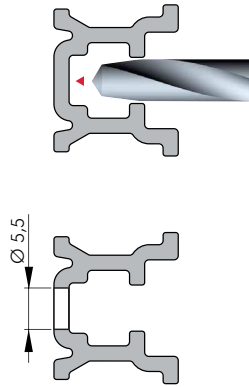
TRIADE PRO AND TRIADE PRO MINI ALUMINIUM PROFILES



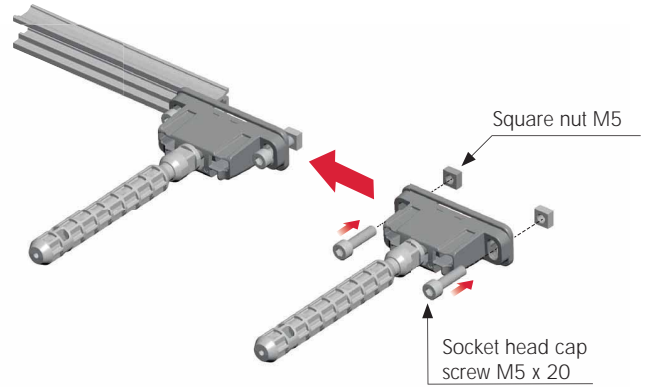
ALUMINIUM PROFILE DRILLING



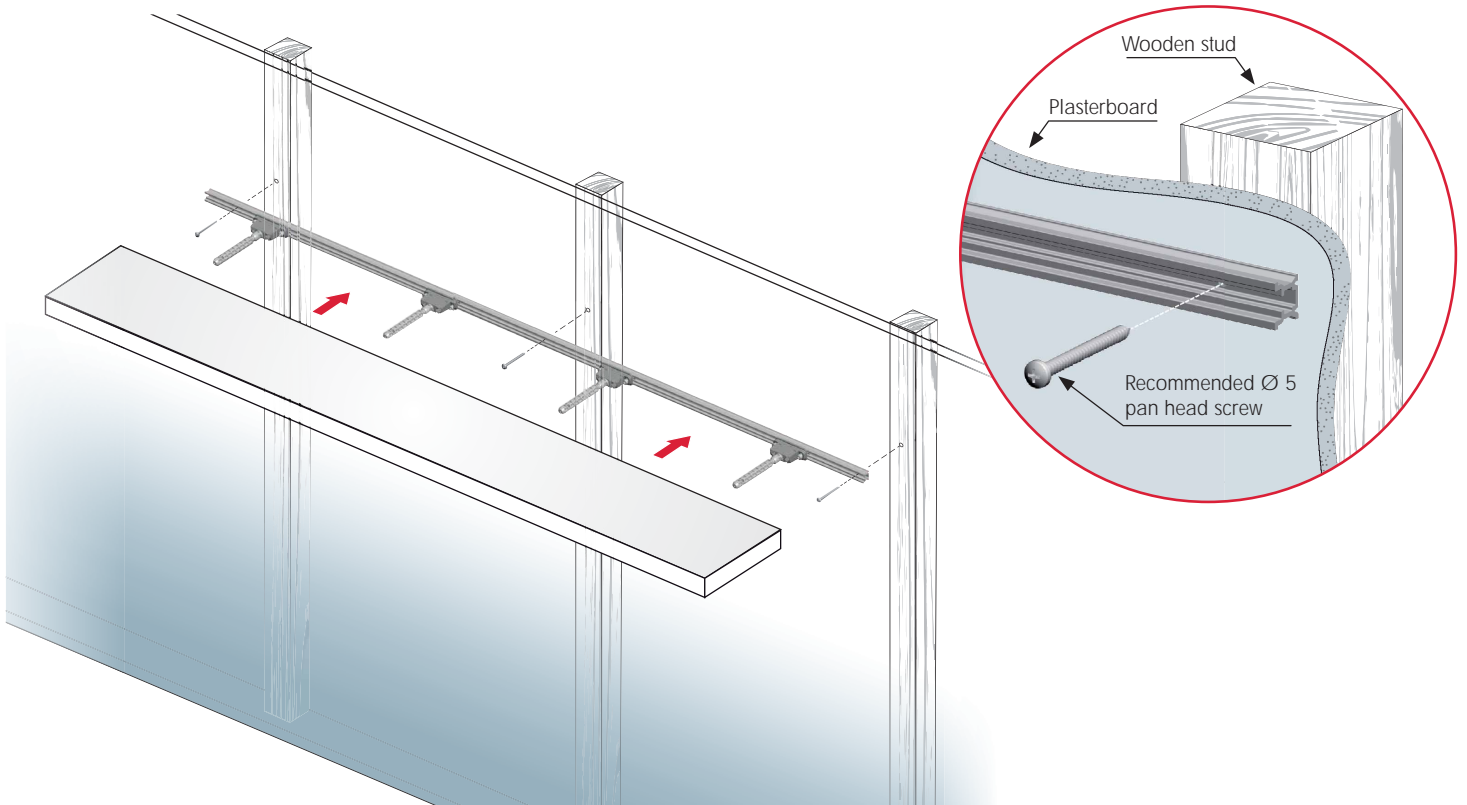
DRILLING DETAILS



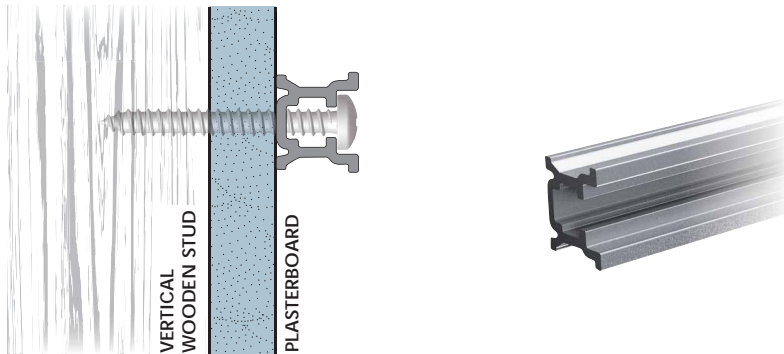
TRIADE PRO INSERTION INTO THE ALUMINIUM PROFILE



INSTALLATION ON THE WALL AND SHELF INSERTING



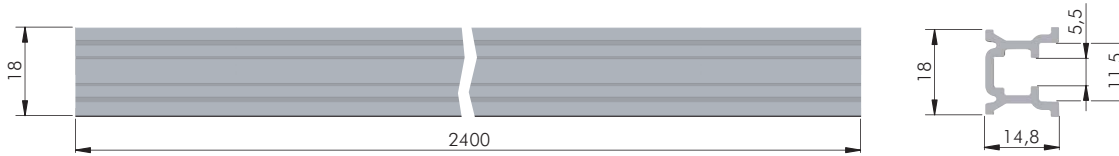
TRIADE PRO MINI AND TRIADE PRO ALUMINIUM PROFILE



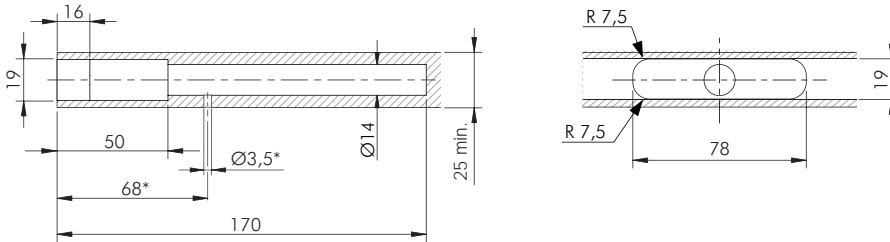
AL = 24 pcs.

6902400000

Further profile lengths available on request.

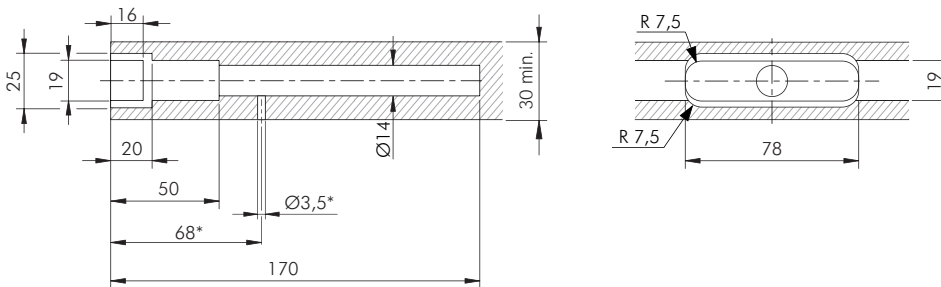


DRILLING PLAN FOR THE APPLICATION WITH TRIADE PRO MINI



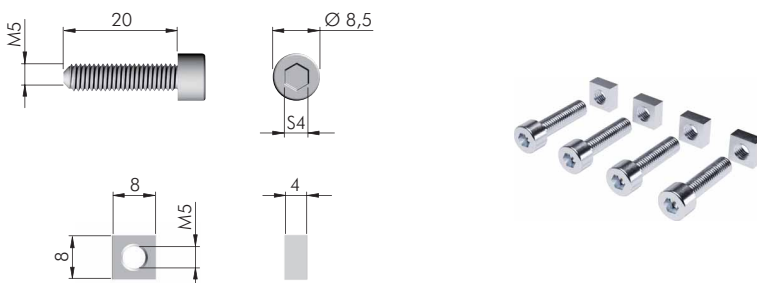
* Optional drilling for security locking with M4 grub screw placed underneath in alignment with the cavity. For details refer to Triade Pro Mini section.

DRILLING PLAN FOR THE APPLICATION WITH TRIADE PRO



* Optional drilling for security locking with M4 grub screw placed underneath in alignment with the cavity. For details refer to Triade Pro section.

ACCESSORY TO FIX ALL TRIADE PRO VERSIONS TO ALU PROFILES



ST = on request

C010001328

NOTE: Set of 4 x Square nuts and 4 x Socket-head cap screws.

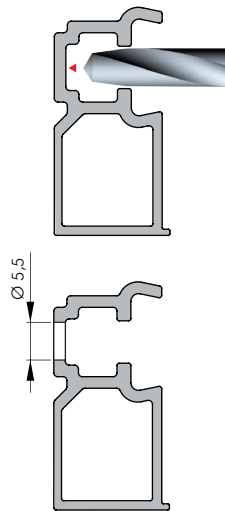
TRIADE PRO MAXI AND XXL ALUMINIUM PROFILES



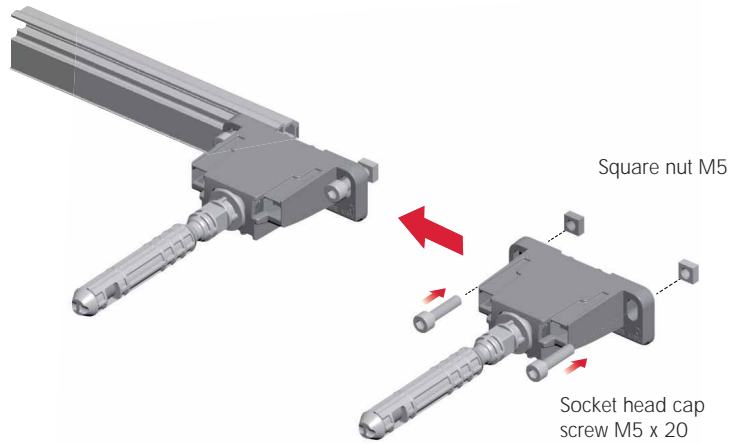
ALUMINIUM PROFILE DRILLING



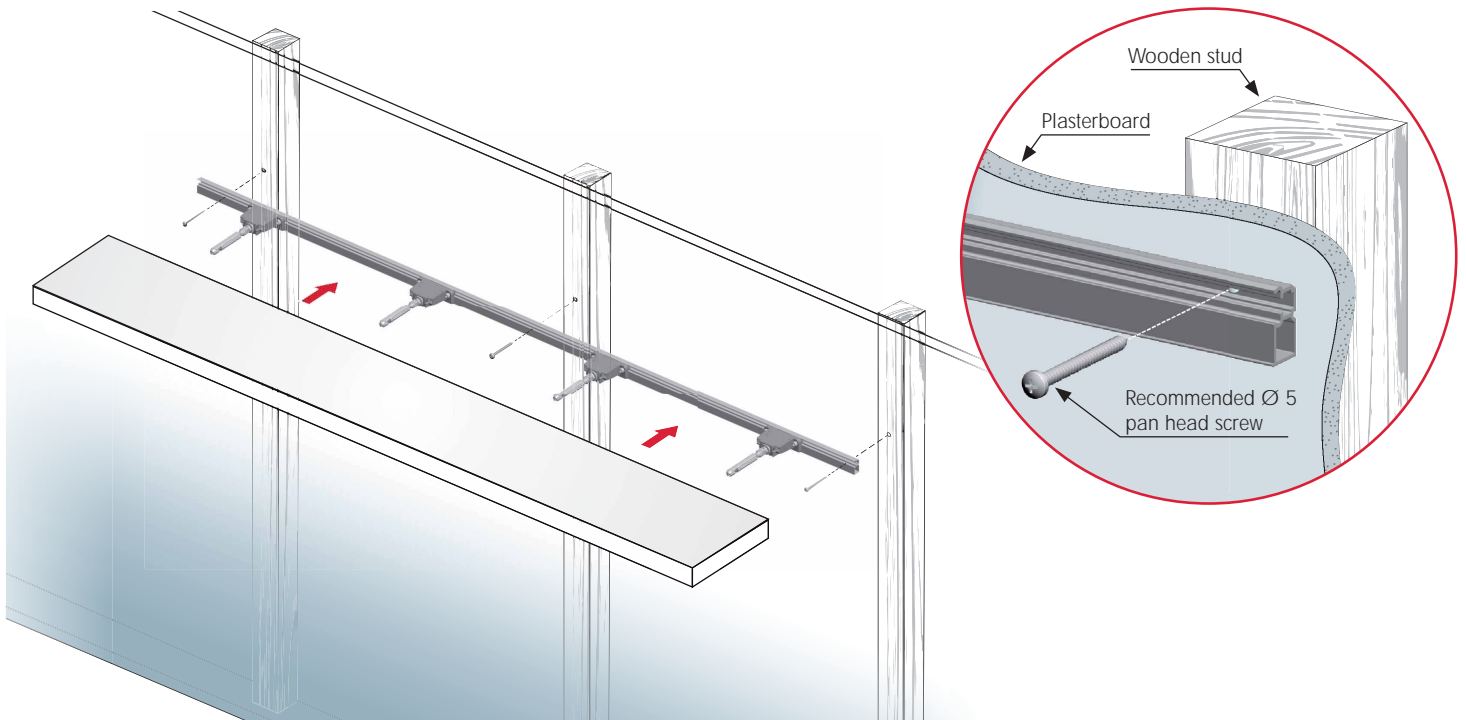
DRILLING DETAILS



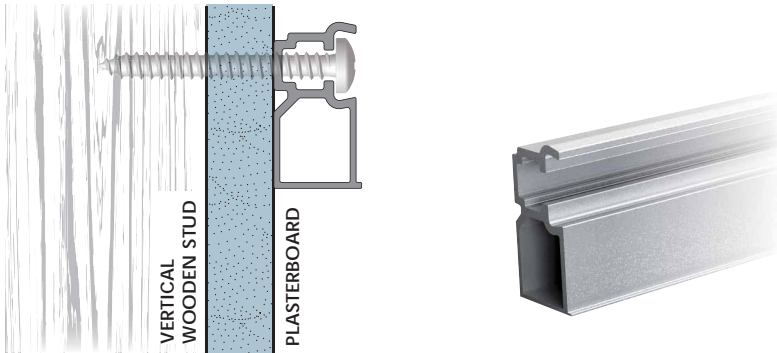
TRIADE INSERTION INTO THE ALUMINIUM PROFILE



INSTALLATION ON THE WALL AND SHELF INSERTING



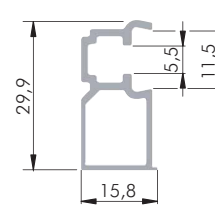
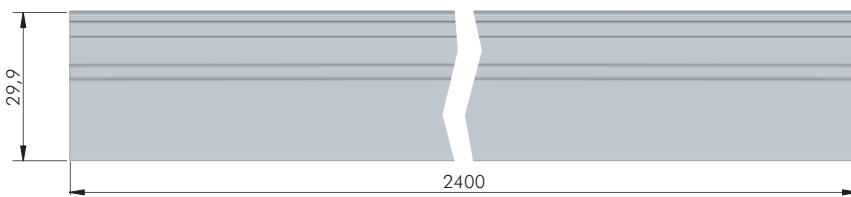
TRIADE PRO MAXI AND TRIADE PRO XXL ALUMINIUM PROFILE



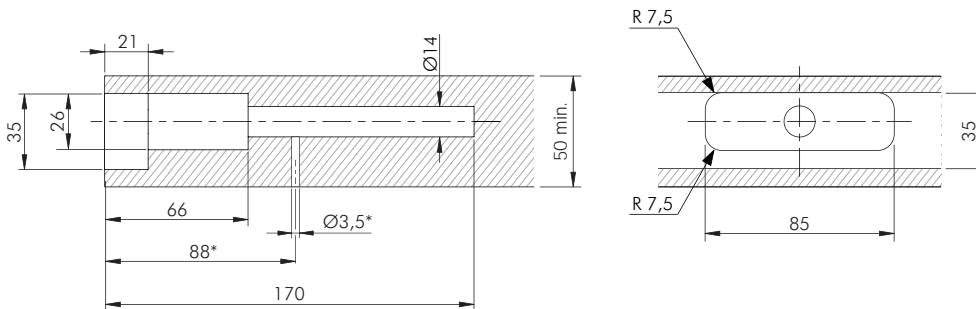
AL = 12 pcs.

691240000

Further profile lengths available on request.

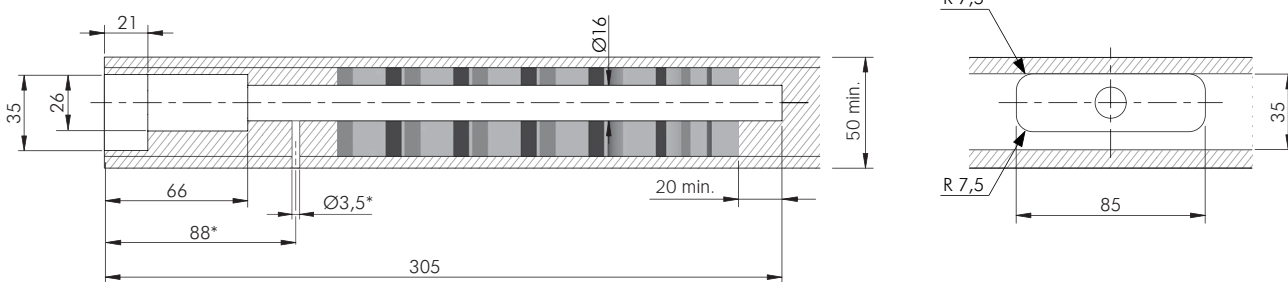


DRILLING PLAN FOR THE APPLICATION WITH TRIADE PRO MAXI



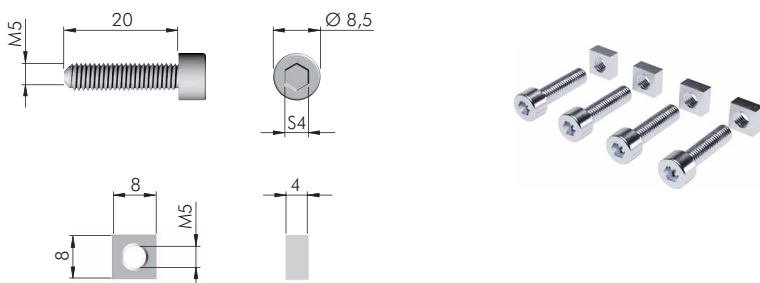
* Optional drilling for security locking with M4 grub screw placed underneath in alignment with the cavity. For details refer to Triade Pro Maxi section.

DRILLING PLAN FOR THE APPLICATION WITH TRIADE PRO XXL



* Optional drilling for security locking with M4 grub screw placed underneath in alignment with the cavity. For details refer to Triade Pro XXL section.

ACCESSORY TO FIX ALL TRIADE PRO VERSIONS TO ALU PROFILES



ST = on request

C010001328

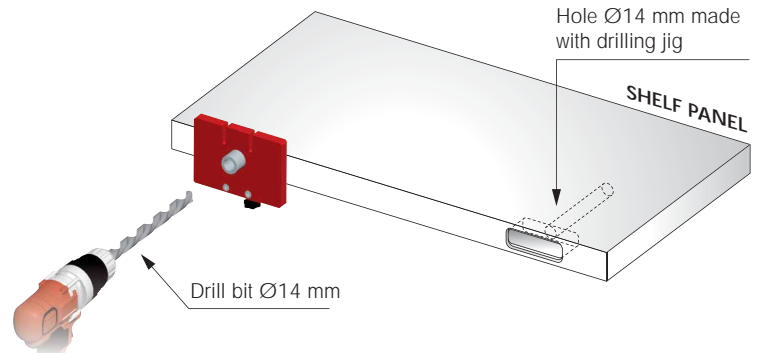
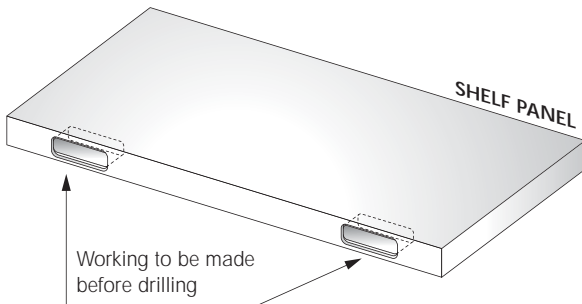
NOTE: Set of 4 x Square nuts and 4 x Socket-head cap screws.

DRILLING JIG FOR TRIADE PRO

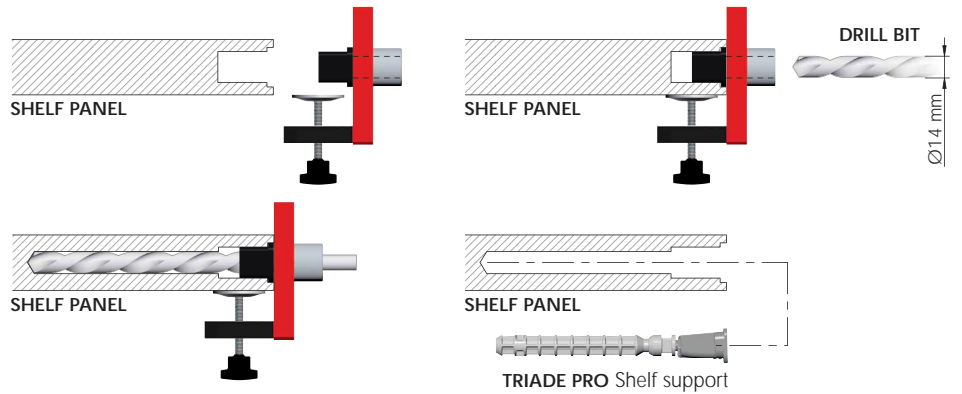
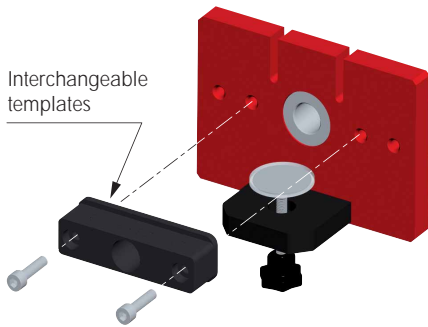


50 mm MAX

GENERAL SPECIFICATIONS



APPLICATION



TEMPLATES AVAILABLE

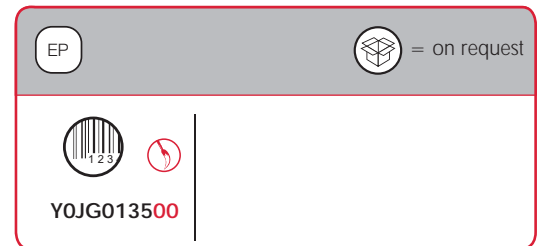
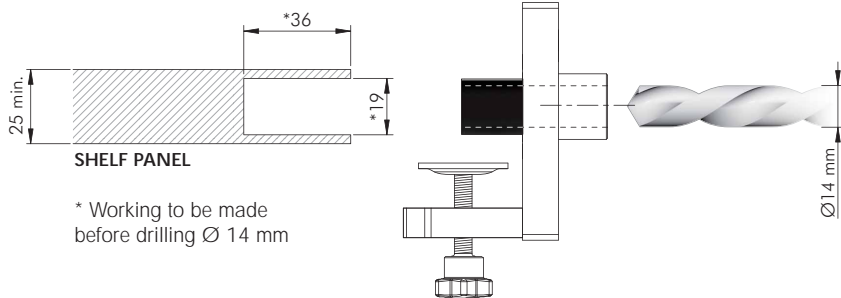
TEMPLATE FOR TRIADE PRO MINI Part no. YOJG013500	TEMPLATE FOR TRIADE PRO Part no. YOJG013600	TEMPLATE FOR TRIADE PRO MAXI Part no. YOJG013700	TEMPLATE FOR TRIADE PRO MINI AND TRIADE PRO ALUMINIUM PROFILE Part no. YOJG013800	TEMPLATE FOR TRIADE PRO MAXI ALUMINIUM PROFILE Part no. YOJG013900
Triade Pro Mini	Triade Pro	Triade Pro Maxi	Alu. profile for Triade Pro Mini and Triade Pro	Alu. profile for Triade Pro Maxi
Triade Pro Mini and Bracket	Triade Pro and Bracket	Triade Pro Maxi and Bracket	Triade Pro Mini Triade Pro	Triade Pro Maxi

TRIADE PRO DRILLING JIG



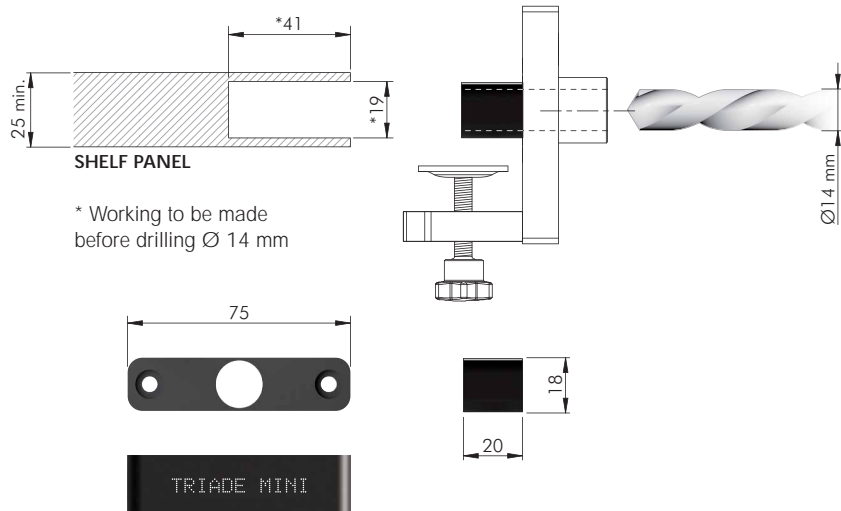
TRIADE PRO DRILLING JIG TEMPLATES

TRIADE PRO MINI DRILLING PLAN

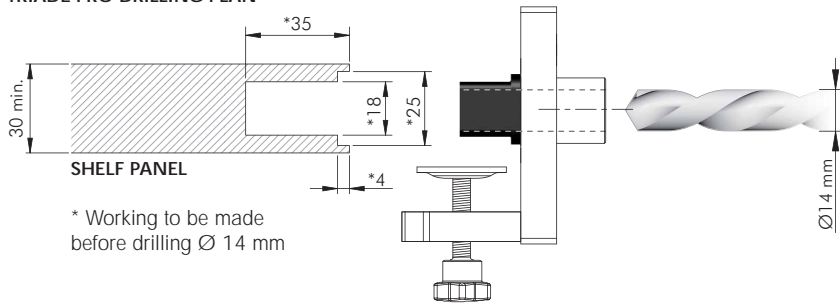


NOTE: The product code includes the fixing screws.

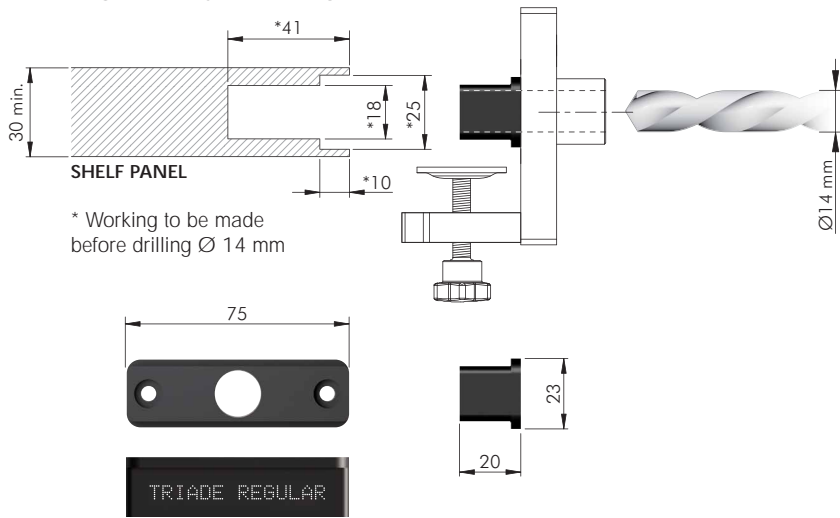
TRIADE PRO MINI AND BRACKET DRILLING PLAN



TRIADE PRO DRILLING PLAN



TRIADE PRO AND BRACKET DRILLING PLAN



EP = on request

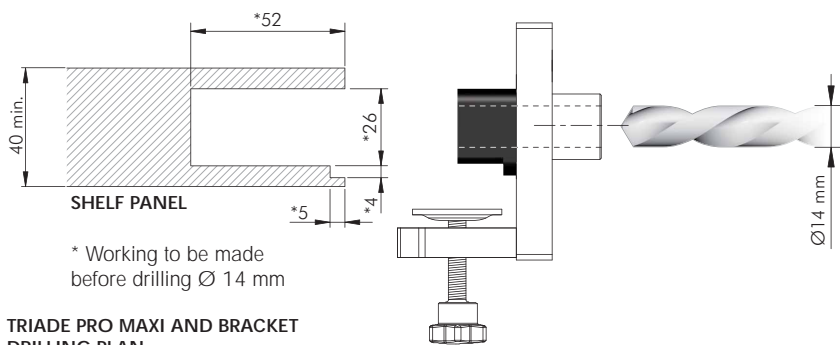
|

Y0JG013600

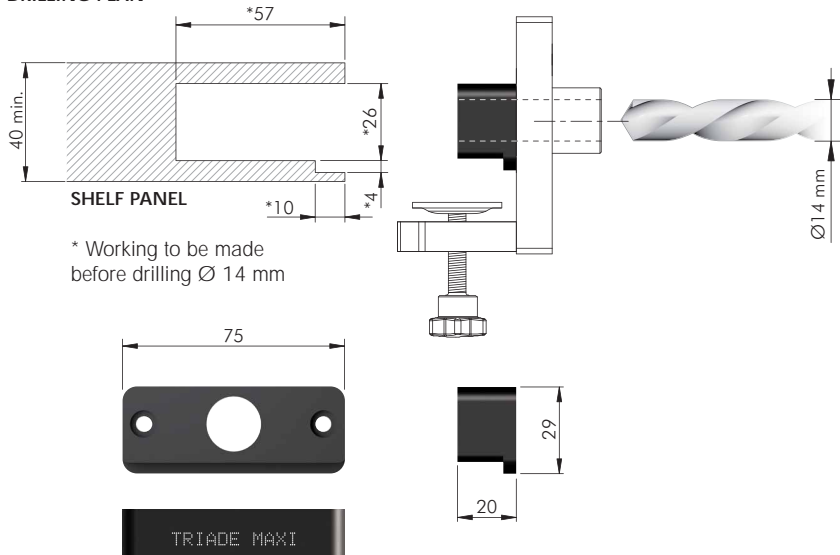
NOTE: The product code includes the fixing screws.



TRIADE PRO MAXI DRILLING PLAN



TRIADE PRO MAXI AND BRACKET DRILLING PLAN



EP = on request

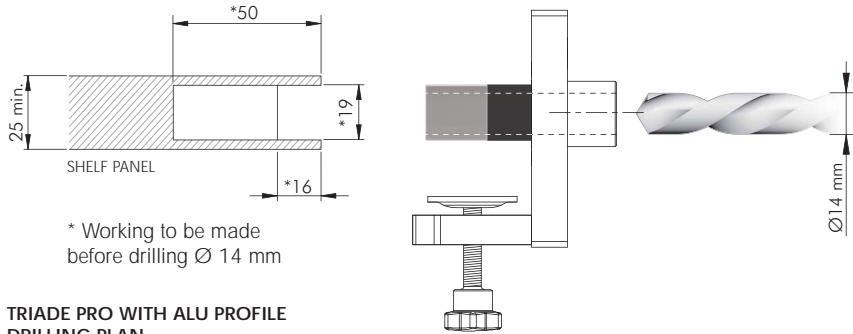
|

Y0JG013700

NOTE: The product code includes the fixing screws.

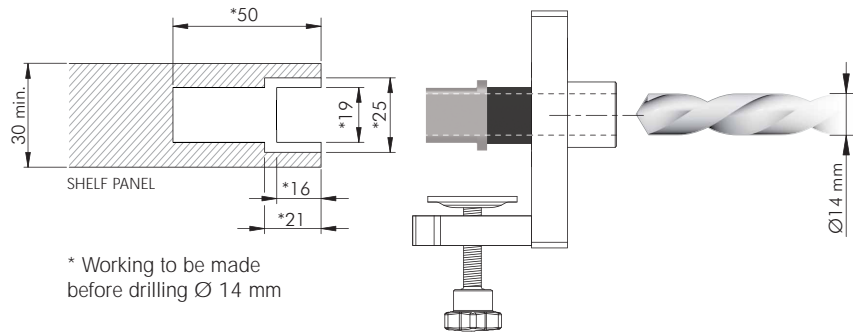


TRIADE PRO MINI WITH ALU PROFILE DRILLING PLAN

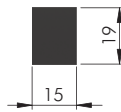
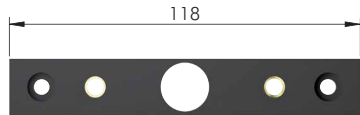


* Working to be made before drilling Ø 14 mm

TRIADE PRO WITH ALU PROFILE DRILLING PLAN



* Working to be made before drilling Ø 14 mm

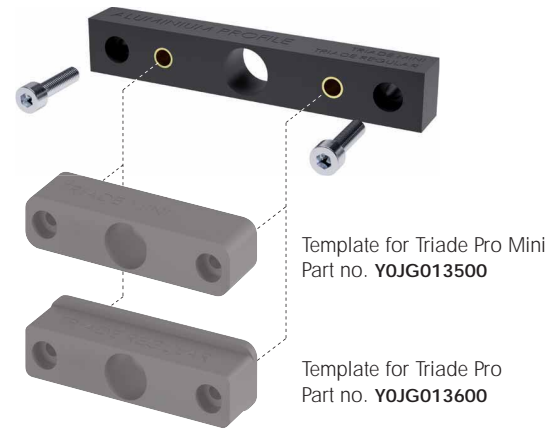


ALUMINIUM PROFILE TRIADE MINI TRIADE REGULAR

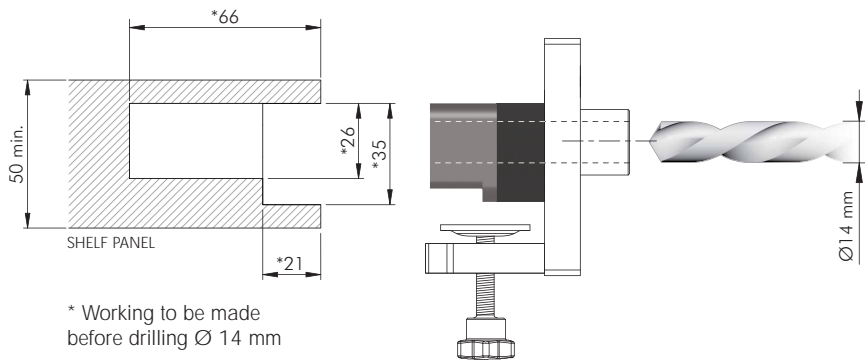
EP = on request

123

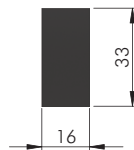
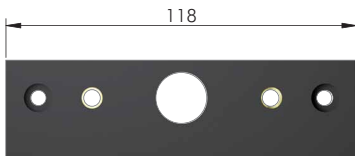
YOJG013800



TRIADE PRO MAXI WITH ALU PROFILE DRILLING PLAN



* Working to be made before drilling Ø 14 mm



ALUMINIUM PROFILE TRIADE MAXI

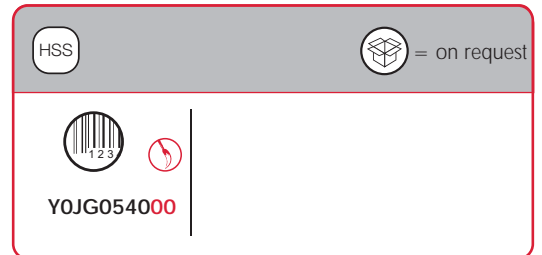
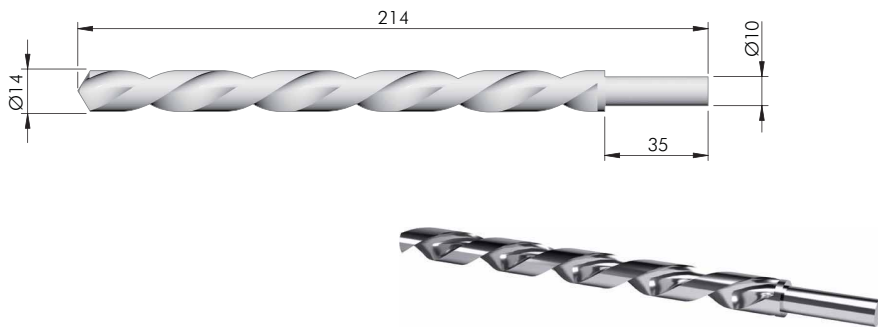
EP = on request

123

YOJG013900



DRILL BIT

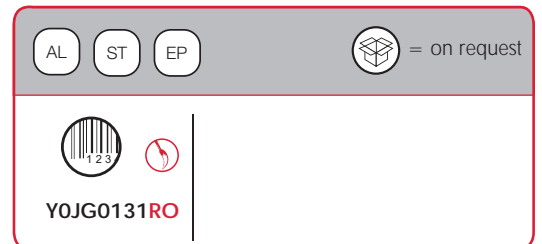


NOTE: For drilling jig we recommend to use precision-ground steel drill bit HSS-G.

COMPLETE KIT DRILLING JIG FOR TRIADE PRO

CONTENT OF THE CASE:

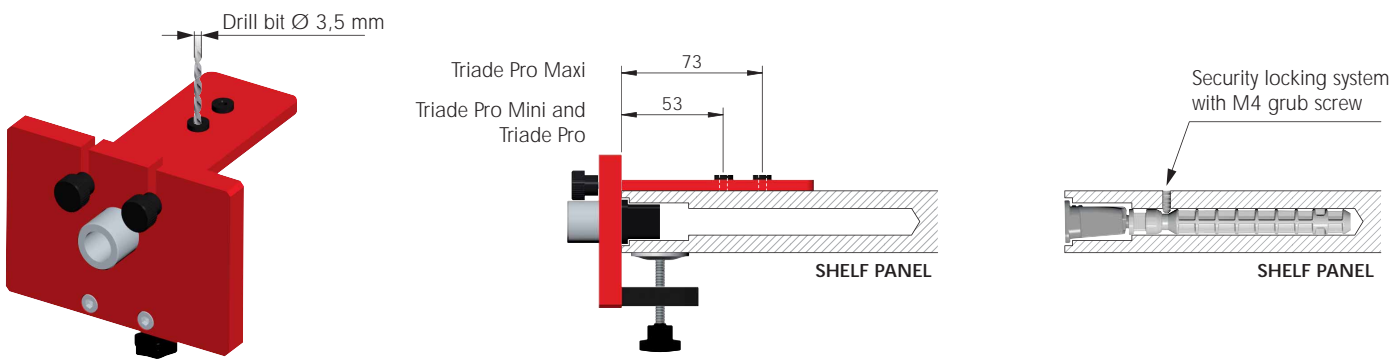
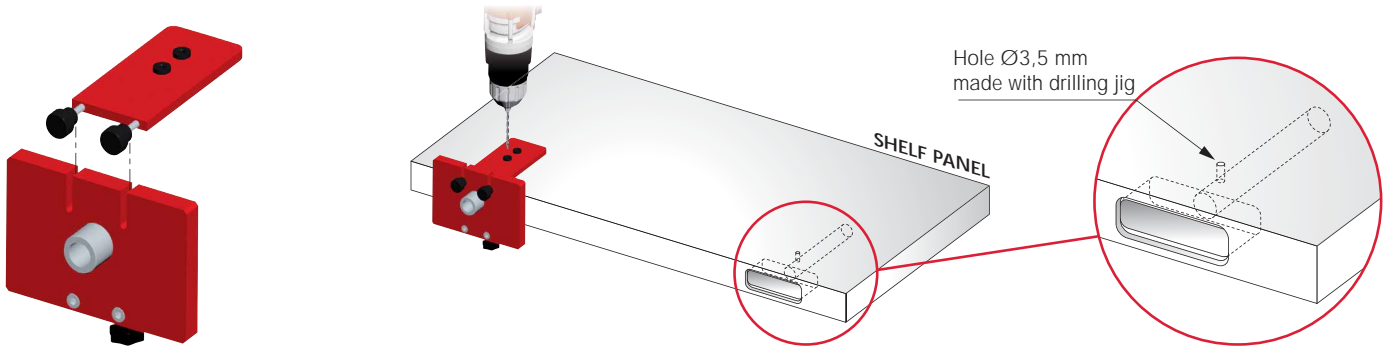
Part no.	Part no.
YOJG0130RO	YOJG0133RO
YOJG013500	YOJG055000
YOJG013600	YOJG054000
YOJG013700	YOJG054100
YOJG013800	
YOJG013900	



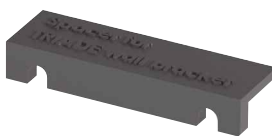
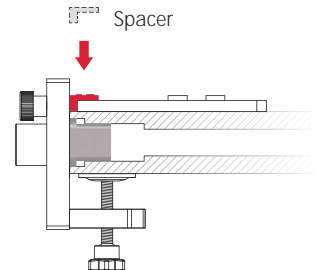
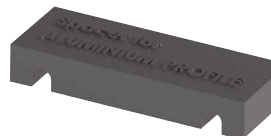
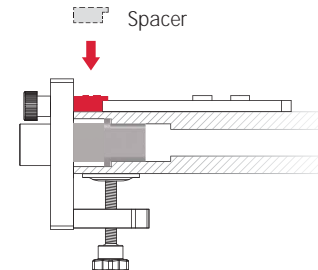





TRIADE PRO DRILLING JIG INSERT FOR SECURITY LOCKING



GENERAL SPECIFICATIONS



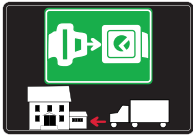
SPACERS AVAILABLE

<p>SPACER FOR TRIADE PRO WALL BRACKETS Part no. YOJG054900</p>  	<p>SPACER FOR TRIADE PRO ALUMINIUM PROFILES Part no. YOJG055000</p>  
  	 



SYMBOLS AND FINISHES LEGEND

SYMBOLS



= SHELF SAFELY LOCKED DURING TRANSPORTATION AND AT HOME.



= ANTI-TURNOVER LOCKING SYSTEM



= NORMS / PATENTS



= PHILLIPS / POZIDRIV



= WITH BUFFER



= PART NO.



= BLADE SLOT



= WITH MAGNET



= PCS. PER PACKAGE



= COMBI SLOT



= HEXAGONAL SOCKET



= NEWTON



= CAPACITY LOADING



= HEXALOBULAR SOCKET



= FRICTION



= WOOD / GLASS THICKNESS



= COUNTERSUNK HEAD



= AUTOMATIC



= HOLE DIAMETER



= PAN HEAD



= DROP DOWN



= DIAMETER



= FLANGE HEAD



= LENGTH



= FLAT HEAD



= STANDARD HINGE



= HEIGHT



= TRILOBULAR SCREW



= KIMANA HINGE



= RIGHT VERSION



= SELF-TAPPING SCREW



= FLAP HINGE



= LEFT VERSION



= EURO THREAD



= WITH SPRING



= SETTING CODE



= METRIC THREAD



= WITHOUT SPRING



= PCS. PER PAD



= PRE-INSERTED SCREW



= REVERSED SPRING



= CUT ON REQUEST



= PRE-INSERTED SCREW AND SPREADING BUSH



= SELF ADHESIVE



= WITH FLANGE

NOTE: Printing errors and omissions may exist despite our best efforts to ensure accuracy. We reserve the right to alter specifications without notice.

MATERIALS

ZA = Zinc Alloy	ST = Steel	HSS = High Speed Steel	BR = Brass	ABS = Acrylonitrile Butadiene Styrene	TPU = Thermoplastic Polyurethane
ZAnk = Nickel-plated Zinc Alloy	STzk = Zinc-plated Steel	AL = Aluminium	WD = Wood	EVA = Ethylene Vinyl Acetate	
EP = ENGINEERING PLASTIC		+ EP = other engineering plastic available on request		SR = SOFT RUBBER	+ SR = other soft rubber available on request

EPn = Natural Engineering Plastic	EPc = Clear Engineering Plastic	SRn = Natural Soft Rubber
EPw = White Engineering Plastic	EPg = Grey Engineering Plastic	SRw = White Soft Rubber
EPb = Black Engineering Plastic	EPa = Anthracite Engineering Plastic	SRb = Black Soft Rubber

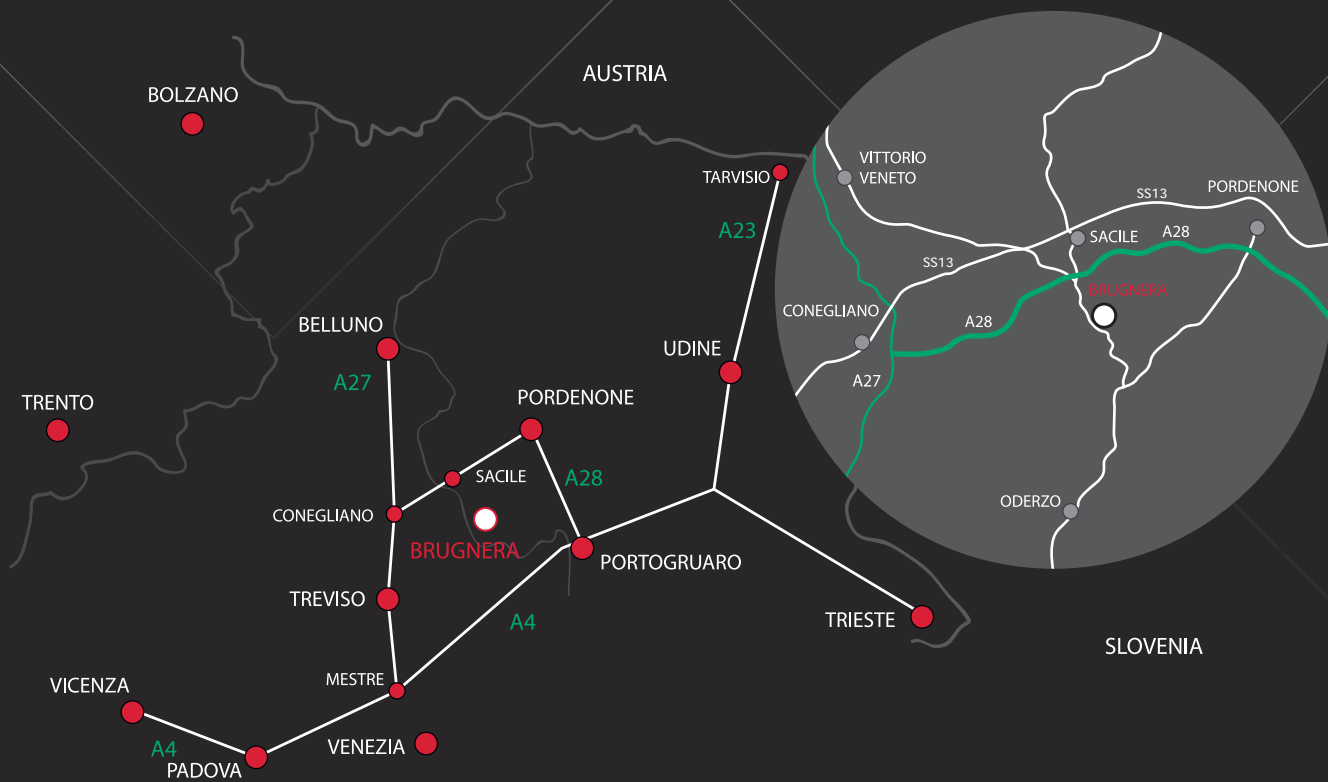


FINISHES



+ OTHER FINISHES AVAILABLE ON REQUEST

PART NO.	FINISHES	PART NO.	FINISHES	PART NO.	FINISHES
00	Insignificant finish	IF	Grey 7	XE	Inox
AA	Natural	IJ	Light Grey	YA	Nickel-plated
AB	White	IL	Grey 20	YC	Matt Nickel-plated
AE	White 9010	IN	Grey met. 26	YD	Satin-finished Nickel-plated
EA	Black	JG	Aluminium 5	YQ	Black Nickel
EC	Matt Black	JL	Aluminium PE 11	Z9	Black Zinc
EE	Anthracite	JM	Aluminium RAL 9006	ZN	Zinc-plated
EW	Grey 9007	KB	Bright Chrome	ZQ	Bright Gold
FU	Gunmetal	KC	Matt Chrome	ZZ	Clear/Transparent
FV	Gunmetal V52	LD	Brown 8019		
GR	Zamak Raw	RO	Red		
HA	Brass-Plated	UT	T-Met 9007		
HH	Tropicalized	UZ	T-Met		
HL	Raw Brass	WA	Bronzed		
HX	Graphite	WI	Burnished		
IA	Grey	XD	Satin-finished Steel		



www.italianaferramenta.com

ITALIANA FERRAMENTA SRL - Viale Europa 17 I - 33070 Brugnera (PN)
 Tel. +39 0434 428211 Fax +39 0434 428242 E-mail: info@italianaferramenta.it