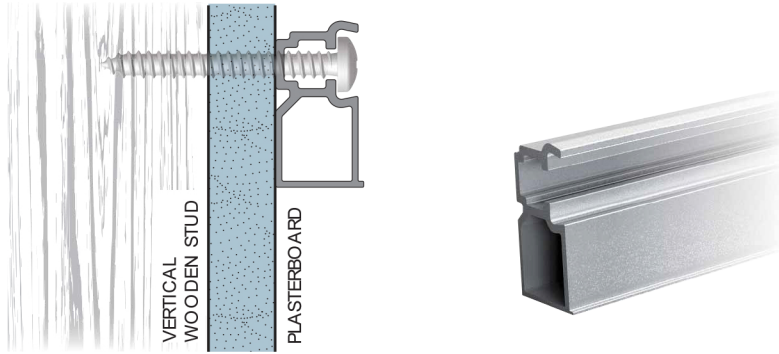


TRIADE PRO MAXI AND TRIADE PRO XXL ALUMINIUM PROFILE

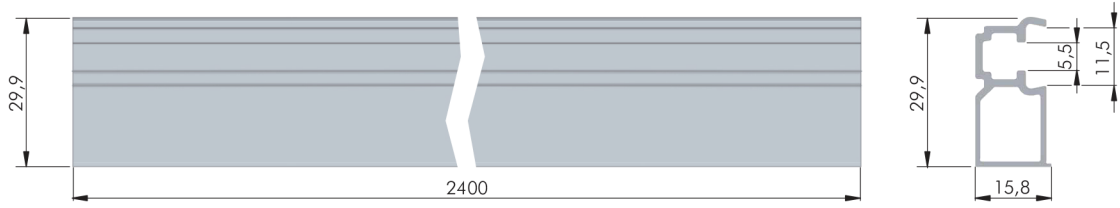


AL = 12 pcs.

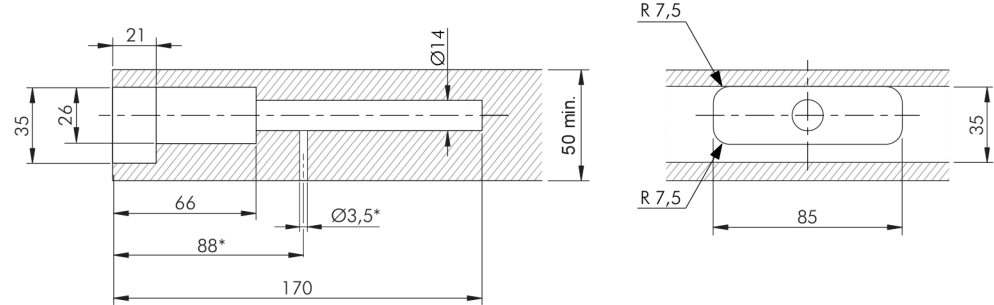
123

6912400000

Further profile lengths available on request.

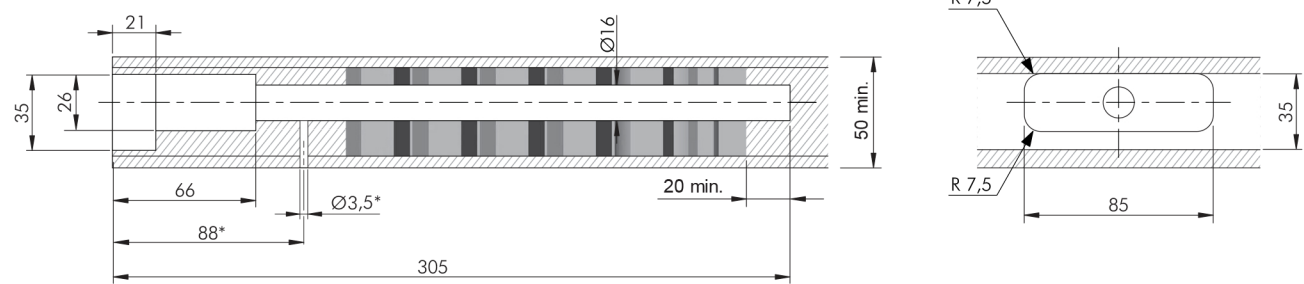


DRILLING PLAN FOR THE APPLICATION WITH TRIADE PRO MAXI



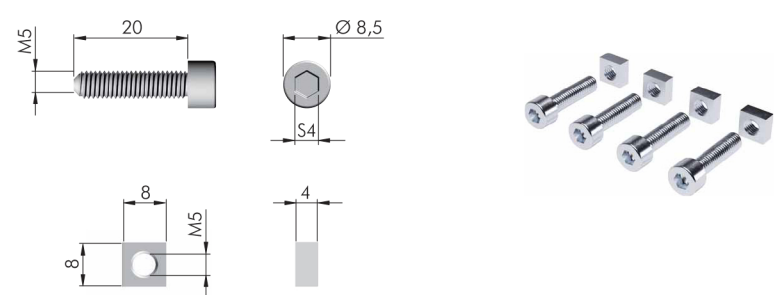
* Optional drilling for security locking with M4 grub screw placed underneath in alignment with the cavity. For details refer to Triade Pro Maxi section.

DRILLING PLAN FOR THE APPLICATION WITH TRIADE PRO XXL



* Optional drilling for security locking with M4 grub screw placed underneath in alignment with the cavity. For details refer to Triade Pro XXL section.

ACCESSORY TO FIX ALL TRIADE PRO VERSIONS TO ALU PROFILES



ST = on request

123

C010001328

NOTE: Set of 4 x Square nuts and 4 x Socket-head cap screws.