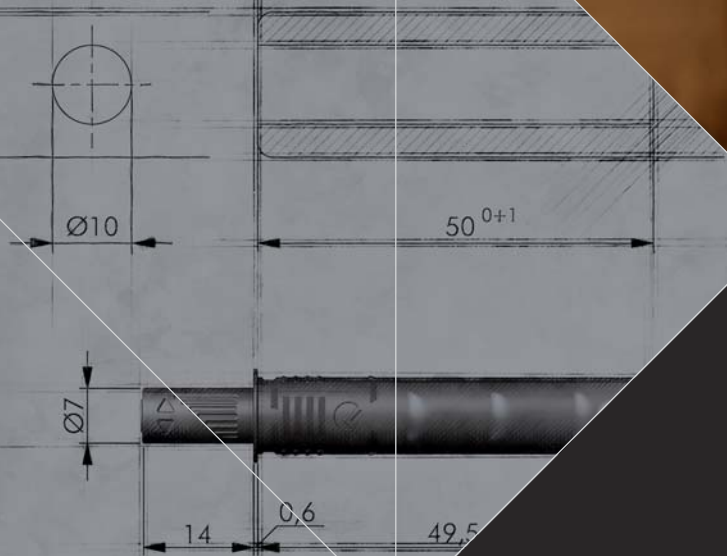




K PUSH TECH



PUSH CATCHES
AND MAGNETIC
CATCHES



K PUSH TECH

K PUSH TECH is the fully renewed and extended program of automatic opening systems for doors without handles or knobs. A special inner mechanism provides a very silent, yet powerful utilization, granting a long durability which makes it perfectly suitable for a wide range of doors. K PUSH TECH is available with buffer, for cabinets using sprung hinges, and with magnet, for cabinets using unsprung hinges or negative hinges. The aesthetic of buffers is now improved and the range of catch plates for version with magnet is even wider.

It comes with a fresh new and even more captivating design, together with an extended program, including an innovated range of spring strengths, in order to guarantee the correct functioning even with large and heavy doors, and three lengths of the output paths: Short – 14 mm, Medium – 20 mm, Long – 37 mm.

The same reference can be installed either concealed or visible, fixed with adapter housing.

The visible versions' package is composed of: push-to-open system, adapter plate and adapter housing. The new adapter housing allows to pre-install K PUSH TECH with the plate on the side of the cabinet and leave the ejector pin deactivated during its handling and transportation. The suitability of the small adapter housing for both short and medium size versions guarantees a simplified stock management.

It comes with a wide range of colors: white, grey 19 and black anthracite.

Gap between door and cabinet is reduced: activation gap is 1,4 mm, ring thickness is 0,6 mm.

Increased adjustment feature: +6 / -0,45 mm. Beyond this negative adjustment the spring is deactivated.

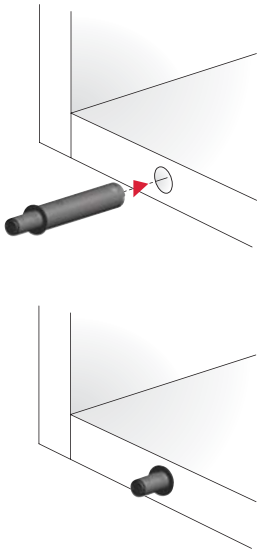
This feature allows to disable the ejector pin for safety reasons.



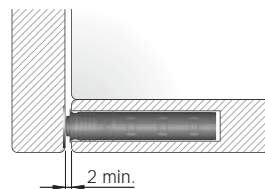
PATENT PENDING
REGISTERED DESIGN
Certificates available on request.



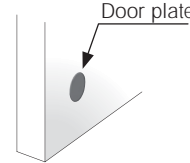
INSTALLATION TO BE EMBEDDED INSIDE THE PANEL



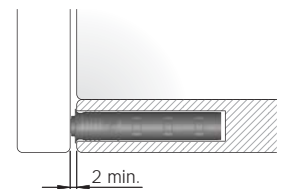
WITH MAGNET
for cabinets using **unsprung hinges** or **negative hinges**.



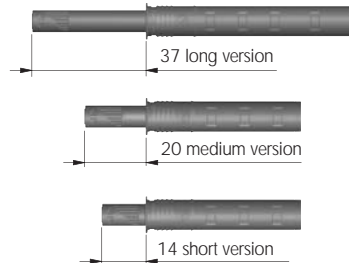
For details refer to
"K PUSH TECH AND
K LOCK DOOR PLATES".



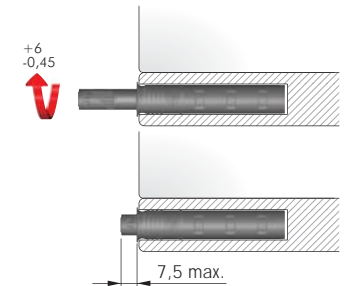
WITH BUFFER
for cabinets using **sprung hinges**.



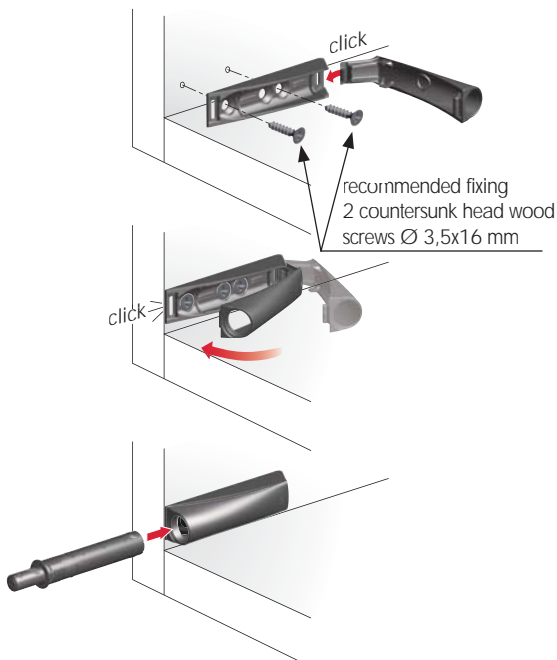
VERSIONS



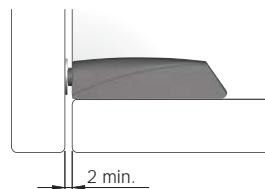
ADJUSTMENTS



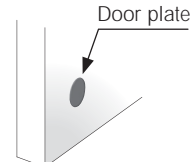
INSTALLATION THROUGH ADAPTER HOUSING



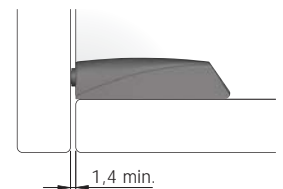
WITH MAGNET
for cabinets using **unsprung hinges** or **negative hinges**.



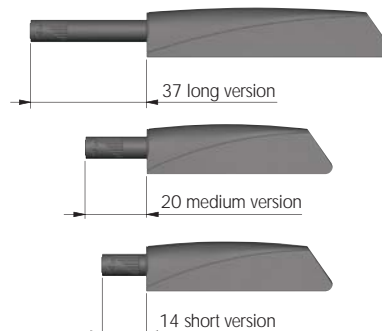
For details refer to
"K PUSH TECH AND
K LOCK DOOR PLATES".



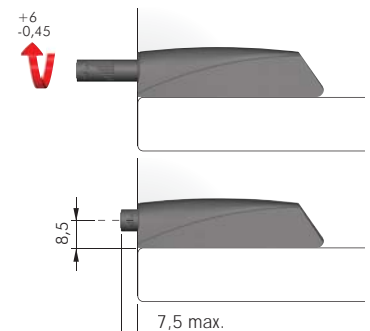
WITH BUFFER
for cabinets using **sprung hinges**.



VERSIONS

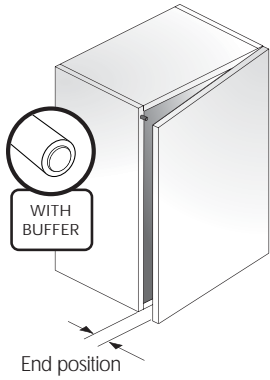


ADJUSTMENTS



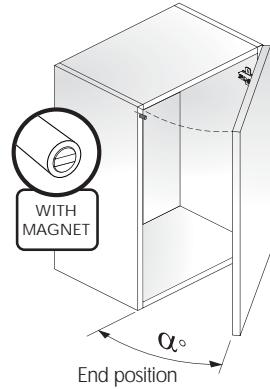
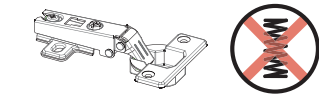


APPLICATION WITH SPRUNG HINGES



Adjacent doors			
Single door			

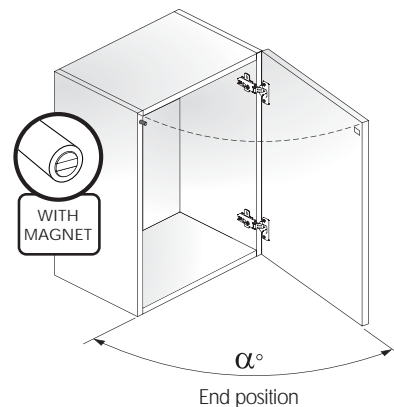
APPLICATION WITH UNSPRUNG HINGES



Door dimensions	Range weight	Indicative α° end door position				
Small door size	2 - 5 kg	$\pm 30^\circ$	$\pm 37^\circ$	$\pm 40^\circ$	$\pm 55^\circ$	$\pm 70^\circ$
Medium door size	5 - 8 kg	$\pm 25^\circ$	$\pm 30^\circ$	$\pm 35^\circ$	$\pm 45^\circ$	$\pm 50^\circ$
Large door size	15 - 18 kg	$\pm 20^\circ$	$\pm 28^\circ$	$\pm 30^\circ$	$\pm 40^\circ$	$\pm 45^\circ$
Maxi door size	30 - 35 kg	-	$\pm 20^\circ$	$\pm 25^\circ$	$\pm 30^\circ$	$\pm 35^\circ$

Small and Medium door size tested with 2 hinges. Large and Maxi size doors tested with 5 hinges. Please note that test results are indicative. End door position may vary depending on hinge brand.

APPLICATION WITH NEGATIVE HINGES

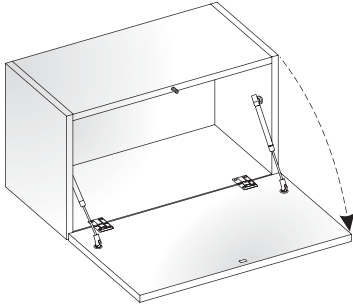


Door dimensions	Range weight	Indicative α° end door position				
Small door size	2 - 5 kg	$\pm 85^\circ$	$\pm 90^\circ$	$\pm 95^\circ$	Over 95°	Over 95°
Medium door size	5 - 8 kg	$\pm 70^\circ$	$\pm 85^\circ$	$\pm 90^\circ$	Over 95°	Over 95°
Large door size	15 - 18 kg	$\pm 40^\circ$	$\pm 50^\circ$	$\pm 60^\circ$	$\pm 70^\circ$	$\pm 80^\circ$
Maxi door size	30 - 35 kg	-	$\pm 35^\circ$	$\pm 40^\circ$	$\pm 50^\circ$	$\pm 60^\circ$

Small and Medium door size tested with 2 hinges. Large and Maxi size doors tested with 5 hinges. Please note that test results are indicative. End door position may vary depending on hinge brand.

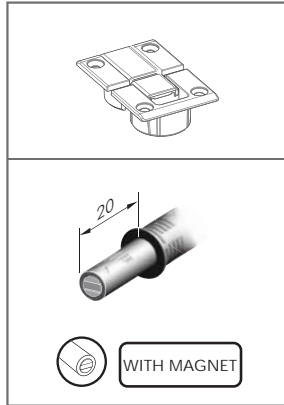


DROP DOWN DOORS

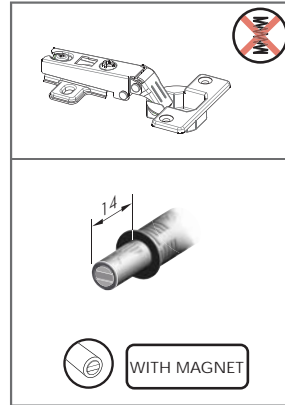


Please note that all technical specifications are based on cabinets assembled only with Italiana Ferramenta products.

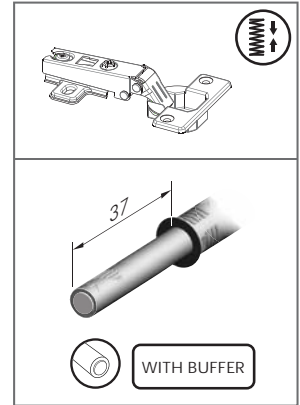
APPLICATION WITH:
KIMANA HINGES



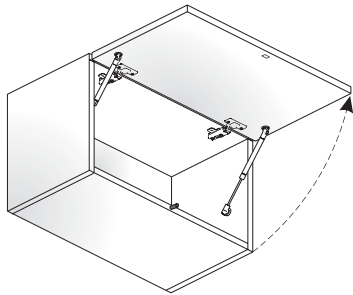
APPLICATION WITH:
UNSPRUNG HINGES



APPLICATION WITH:
SPRUNG HINGES

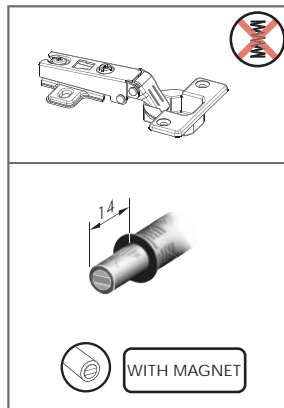


LIFT UP DOORS



Please note that all technical specifications are based on cabinets assembled only with Italiana Ferramenta products.

APPLICATION WITH:
UNSPRUNG HINGES

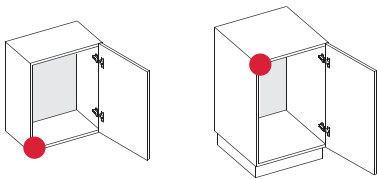


SUGGESTED INSTALLING SPOTS FOR K PUSH TECH

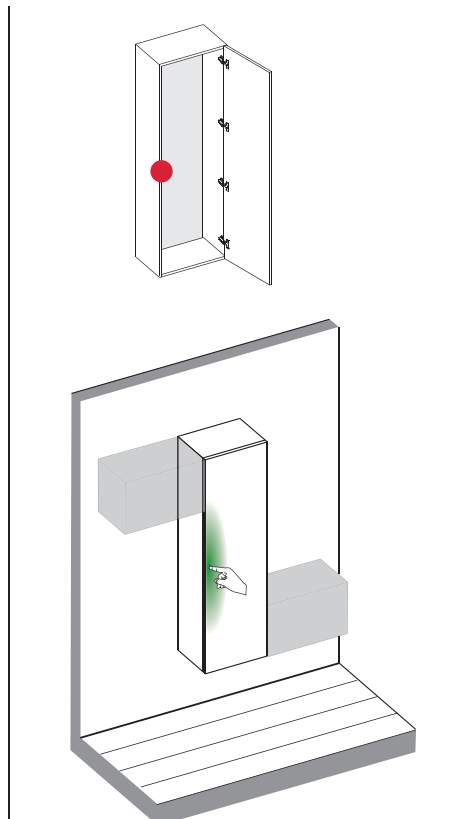
● = K PUSH TECH suggested spot

● = Activating area of K PUSH TECH

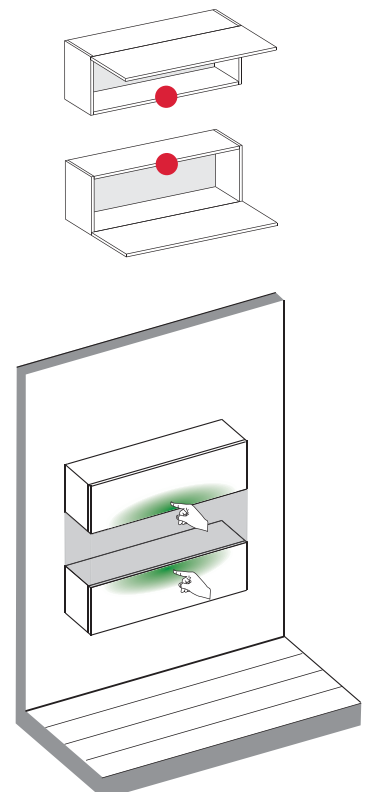
BASE CABINETS AND UPPER CABINETS
WITH HINGED DOORS

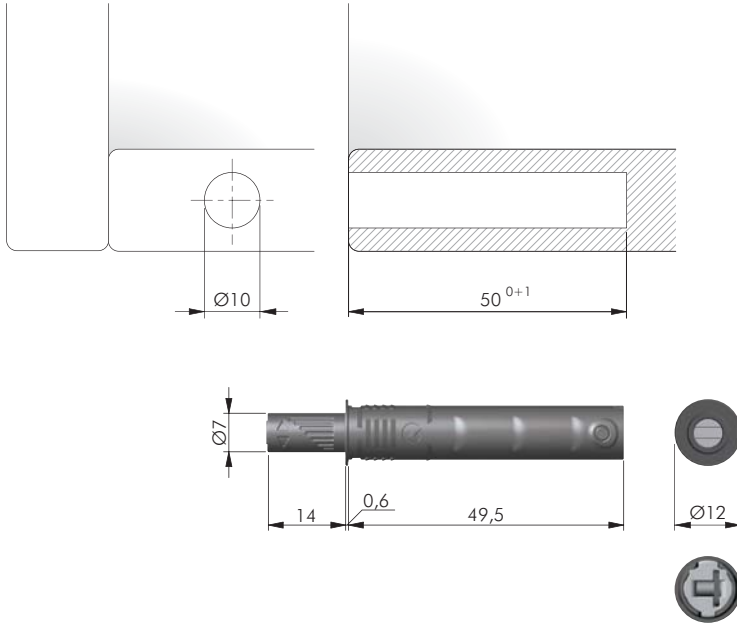


TALL CABINETS WITH HINGED DOORS

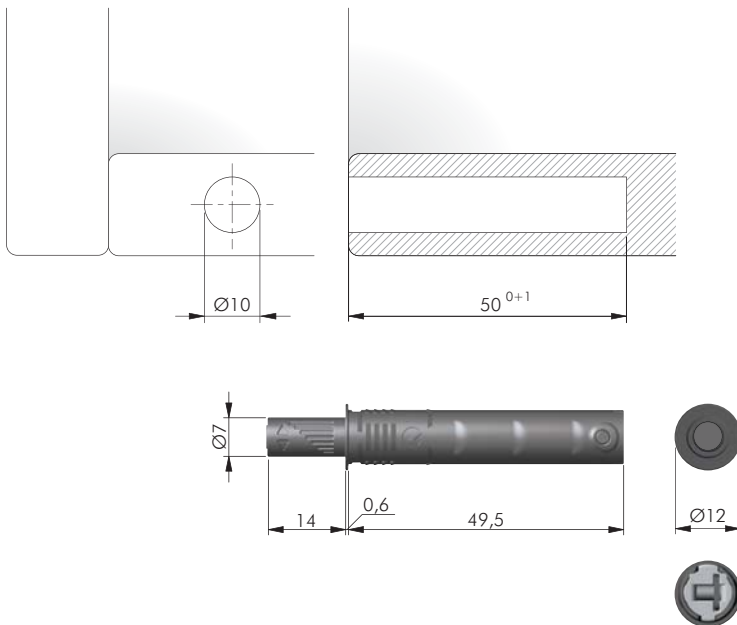


BASE CABINETS AND UPPER CABINETS
WITH FLAP DOORS



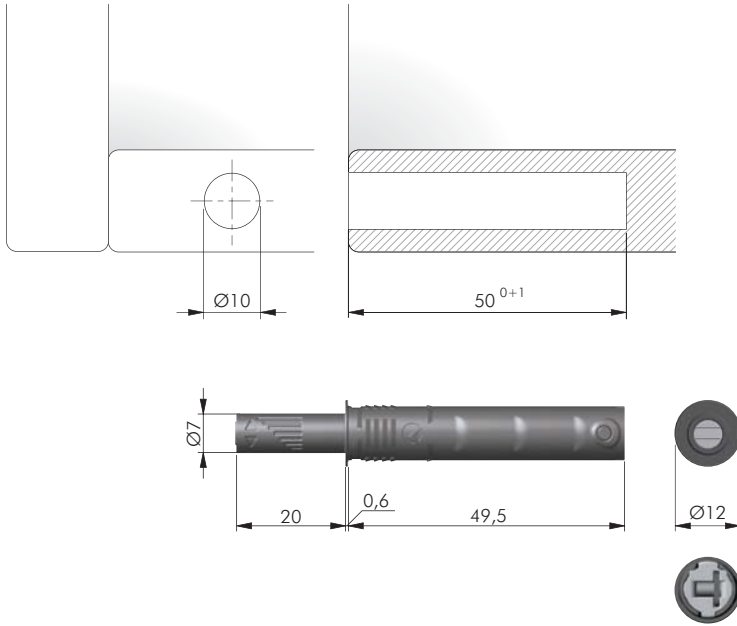


	ST	EP	= 100 pcs.
57002020EE			
57002020IJ			
57002020AB			

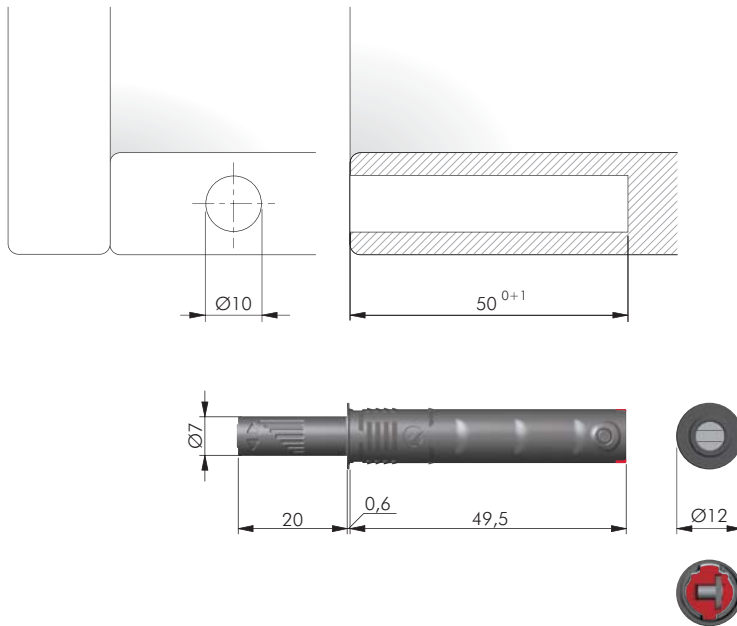


	ST	EP	SR	= 100 pcs.
57002040EE				
57002040IJ				
57002040AB				



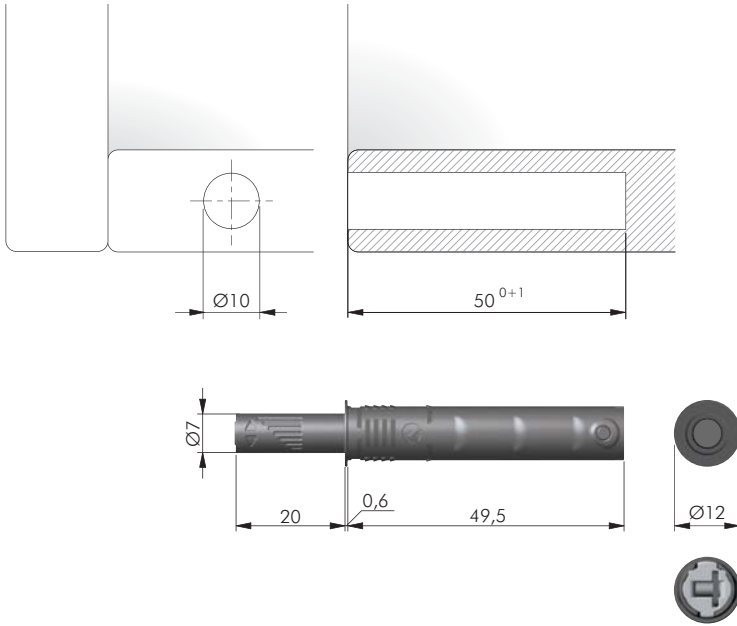


	ST	EP	= 100 pcs.
	57004020EE		
	57004020IJ		
	57004020AB		

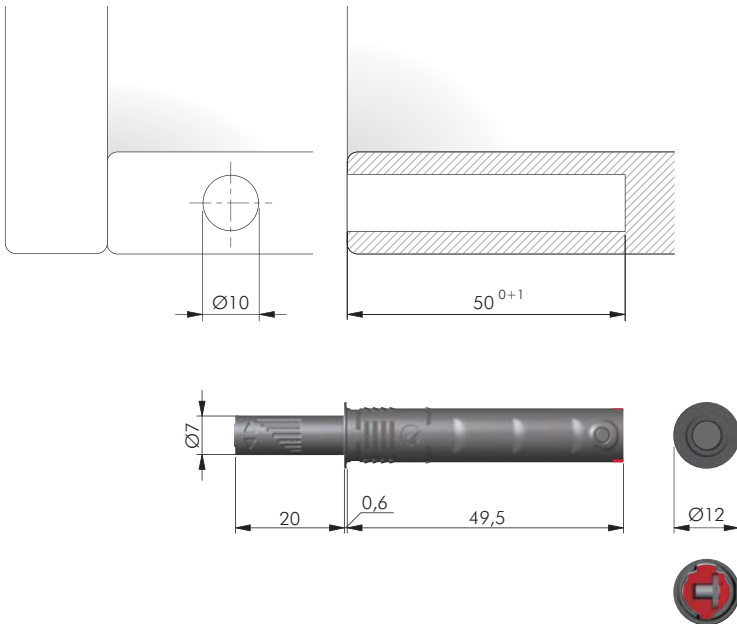


	STRONG VERSION		= 100 pcs.
ST	EP		
	57004060EE		
	57004060IJ		
	57004060AB		





	ST	EP	SR	= 100 pcs.
	57004040EE			
	57004040IJ			
	57004040AB			

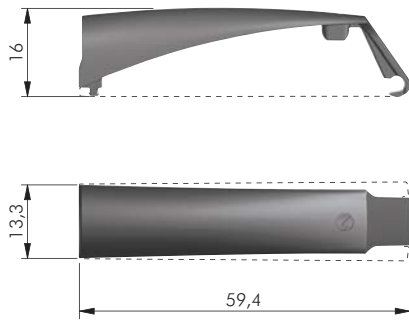


	STRONG VERSION			= 100 pcs.
ST	EP	SR		
	57004080EE			
	57004080IJ			
	57004080AB			





ADAPTER HOUSING AND PLATE FOR **SHORT** AND **MEDIUM** VERSIONS



EP

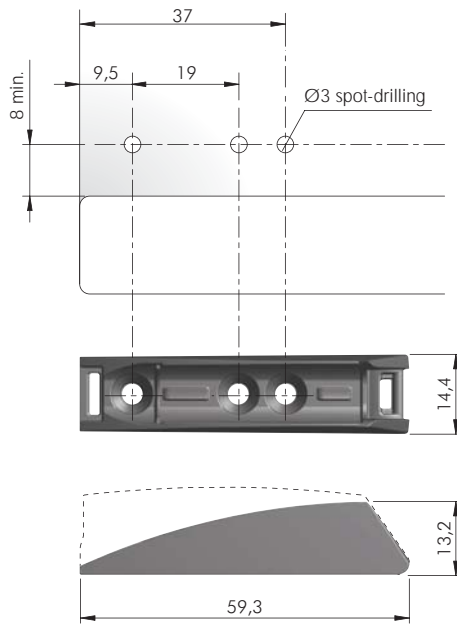
= 100 pcs.



57015020**EE**

57015020**IJ**

57015020**AB**



EP

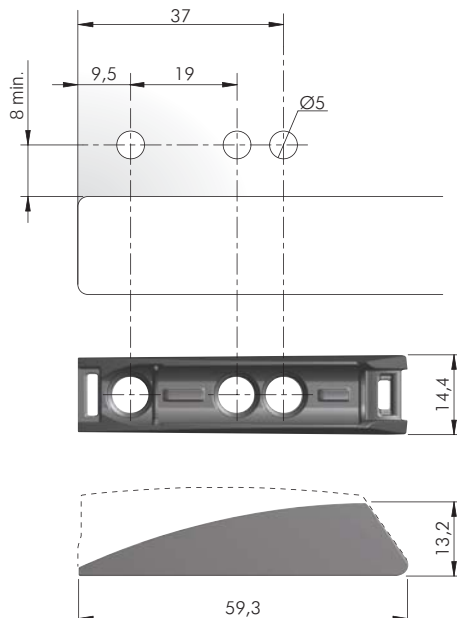
= 100 pcs.



57015040**EE**

57015040**IJ**

57015040**AB**



EP

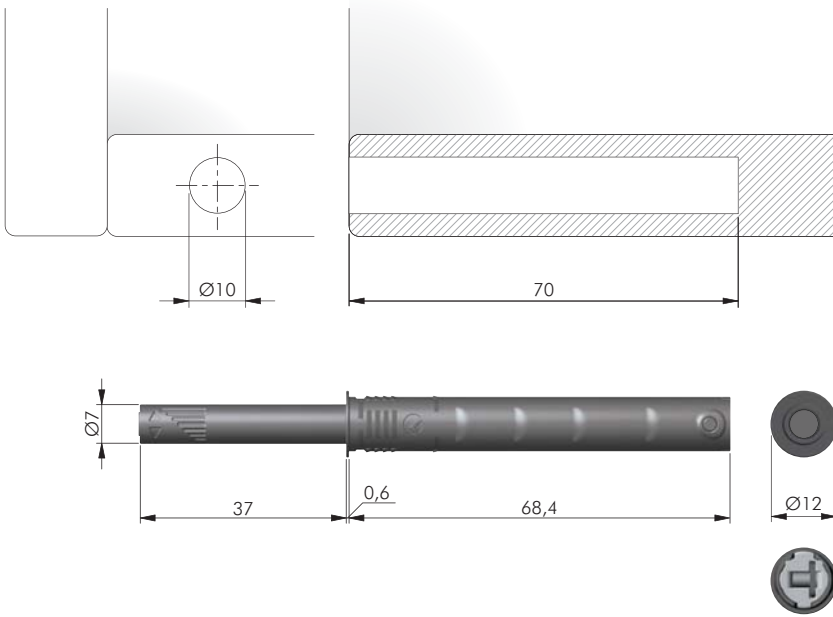
= 100 pcs.










57015060**EE**

57015060**IJ**

57015060**AB**



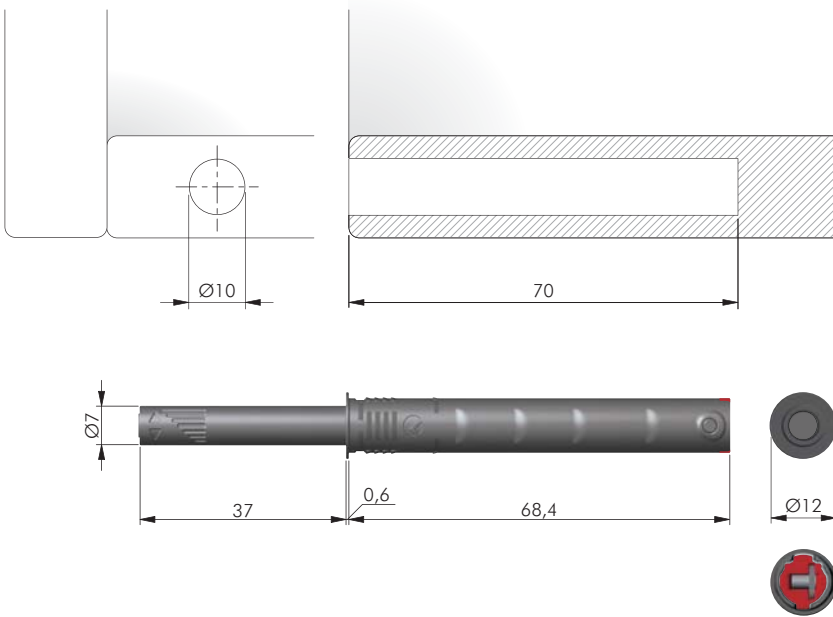




 = 100 pcs.








57008040EE

57008040IJ

57008040AB




STRONG VERSION
 = 100 pcs.

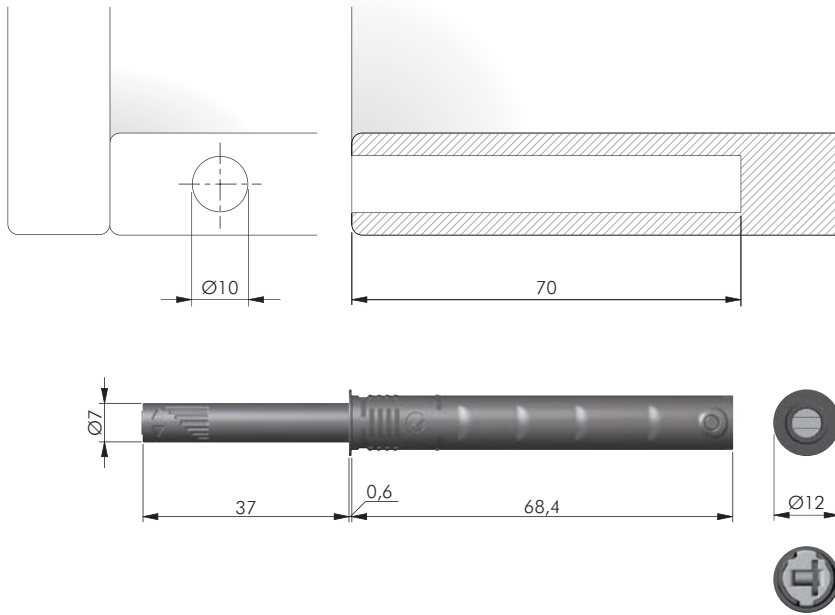







57008080EE



57008080IJ

57008080AB





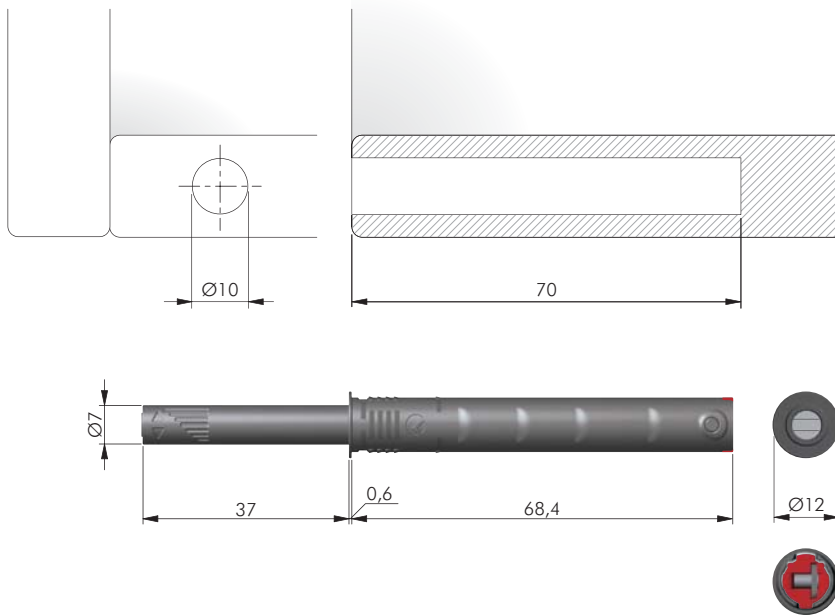

 ST
  EP
  = 100 pcs.











57008020EE

57008020IJ

57008020AB




 ST
  EP
  SR
  = 100 pcs.

57008060EE

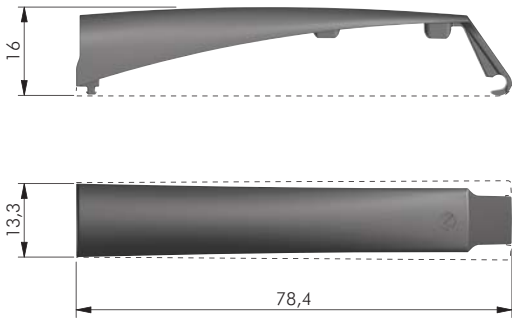
57008060IJ

57008060AB





ADAPTER HOUSING AND PLATE FOR **LONG** VERSION



EP

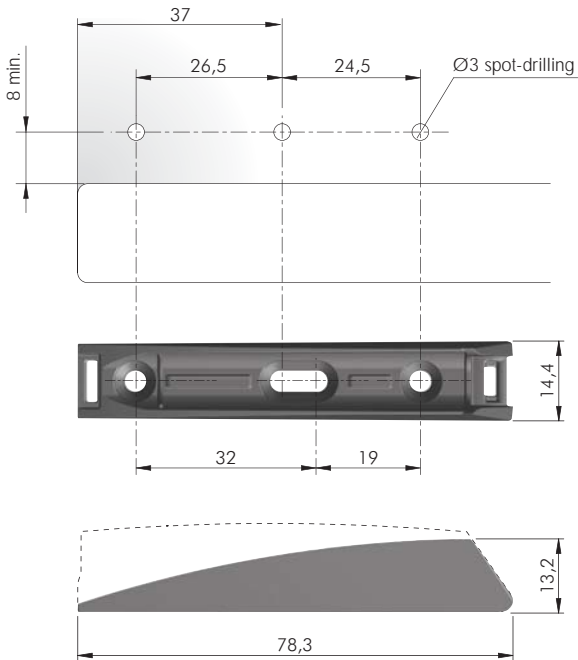
= 100 pcs.



57025020**EE**

57025020**UJ**

57025020**AB**



EP

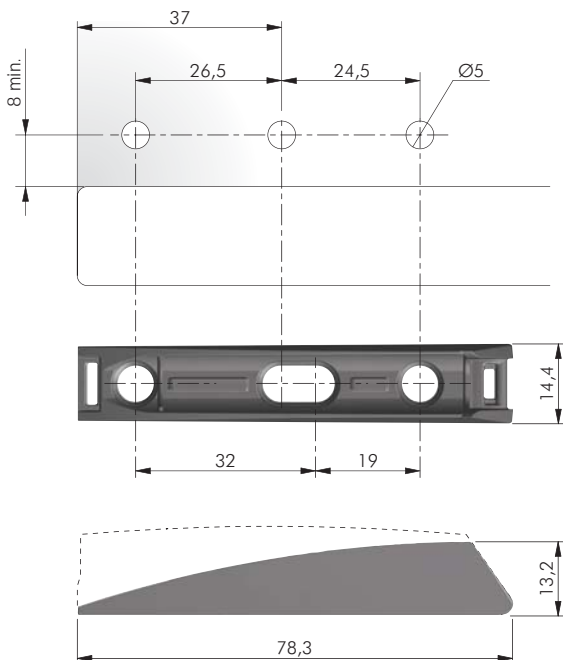
= 100 pcs.



57025040**EE**

57025040**UJ**

57025040**AB**



EP

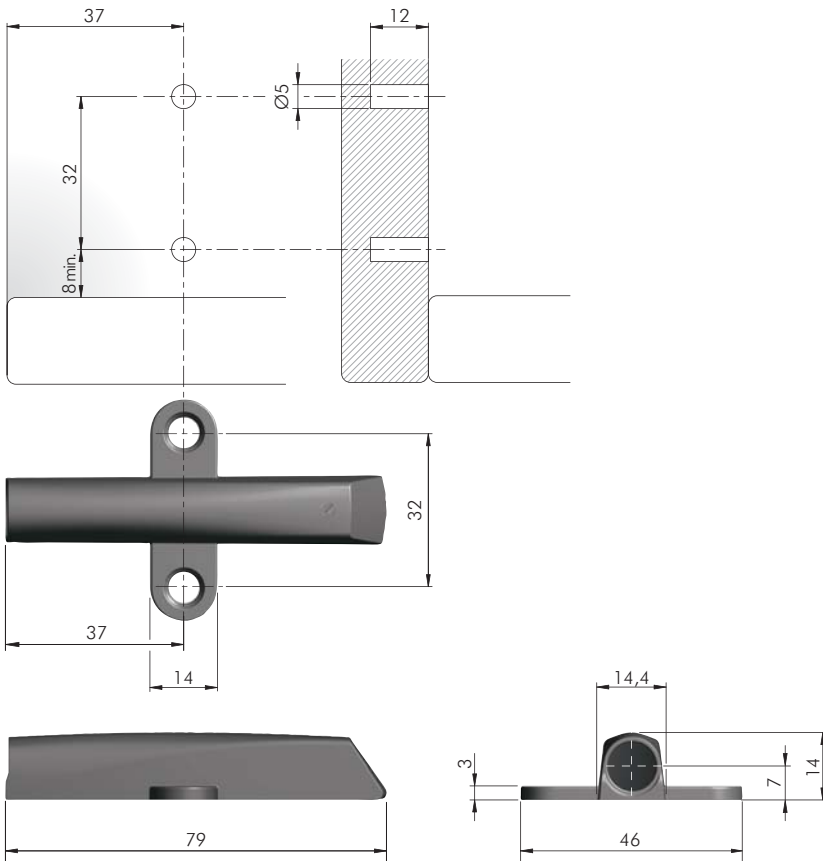
= 100 pcs.



57025060**EE**

57025060**UJ**

57025060**AB**

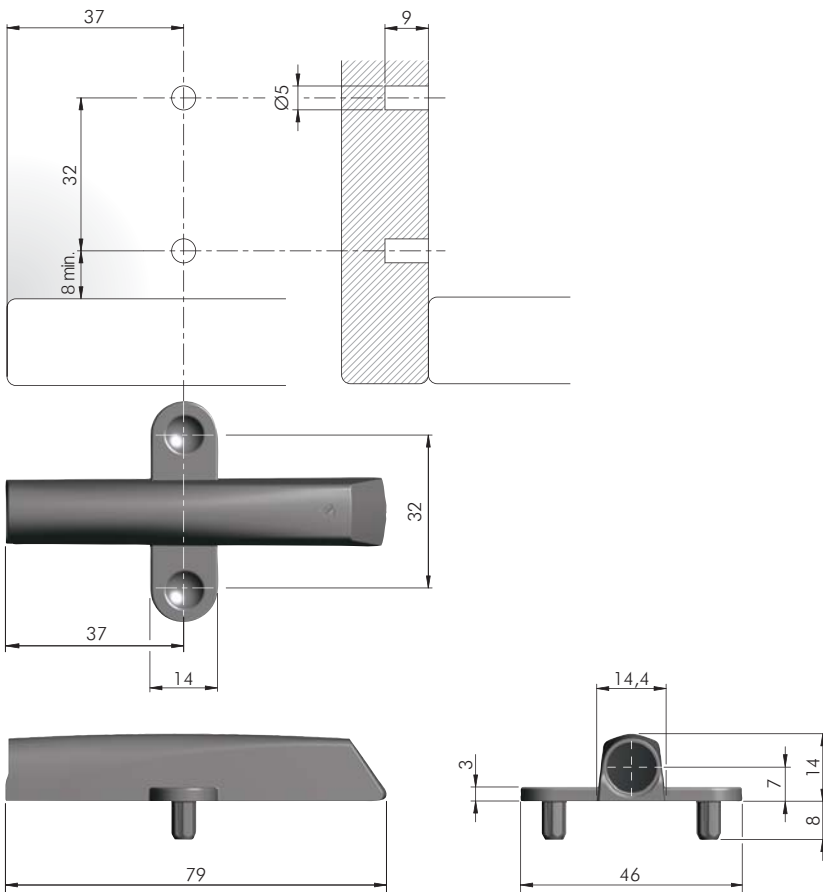


= Ø 5 mm
 EP = 500 pcs.

57010080EE

57010080IJ

57010080AB



= Ø 5 mm
 EP = 500 pcs.

57010100EE

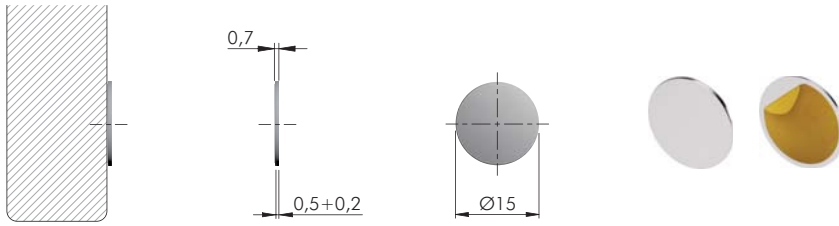
57010100IJ

57010100AB

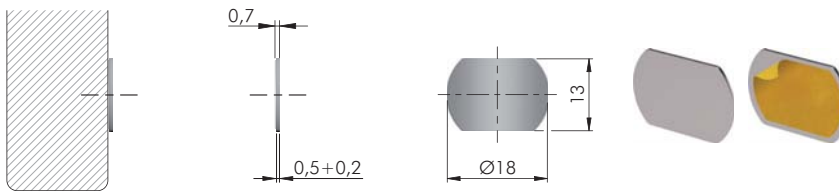




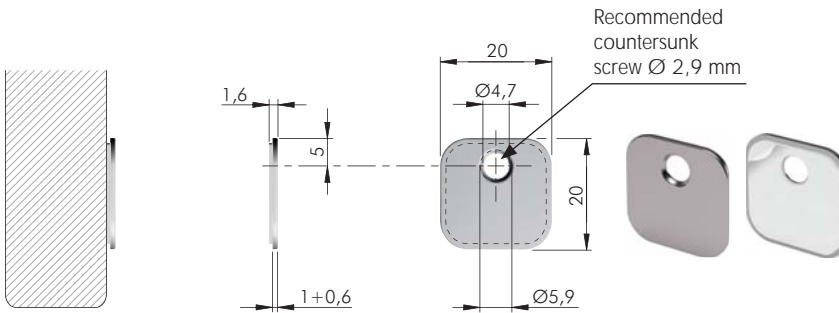
ADHESIVE DOOR PLATES



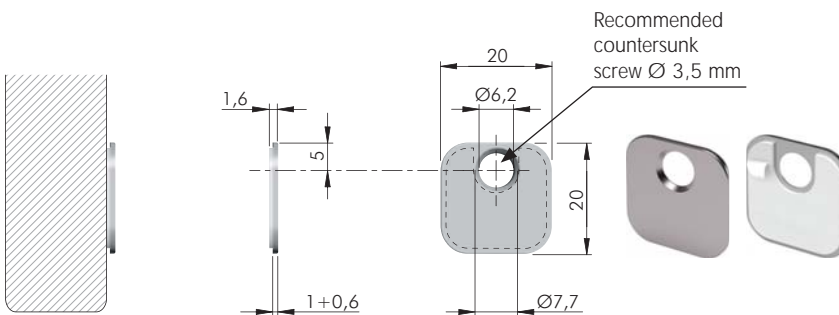
	ST	= 100 pcs.
55006160XD		



	ST	= 100 pcs.
55006200YA		



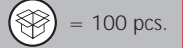
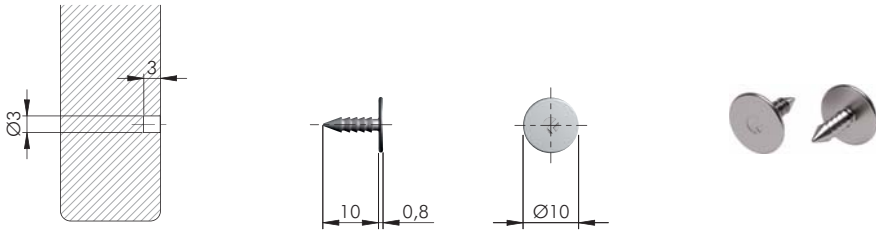
	ST	= 100 pcs.
55006210YA		



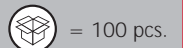
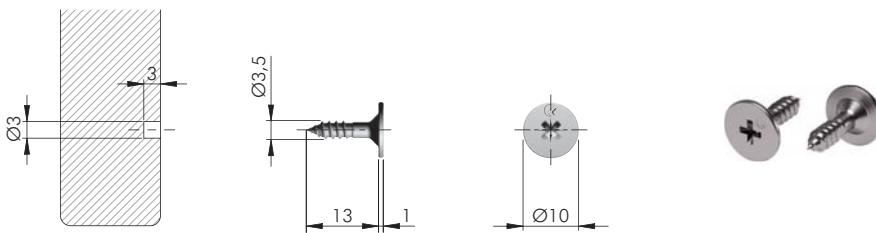
	ST	= 100 pcs.
55006240YA		



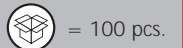
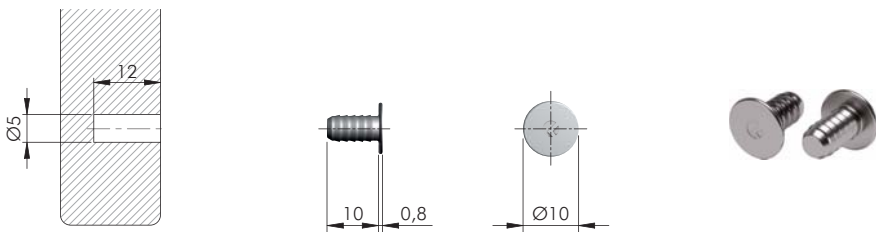
DOOR PLATES



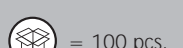
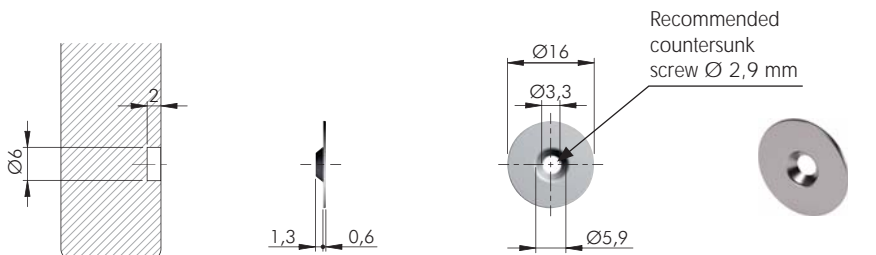
55006030YA



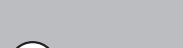
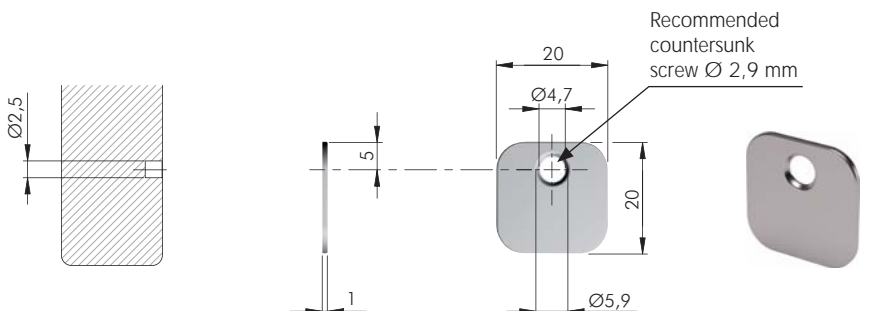
55006100YA



55006040YA



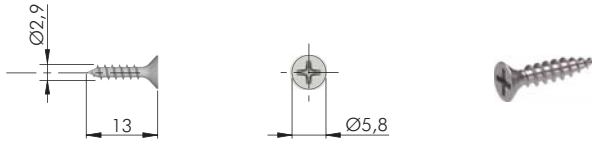
55006130YA



55006120YA



FIXING ACCESSORIES



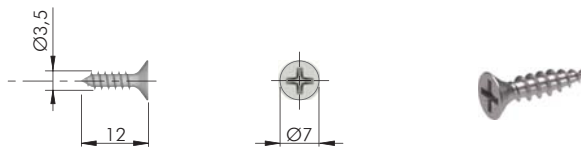
= Ø 2,5 mm

 = PZ1

 = on request

123

60201140YA



= Ø 3,5 mm

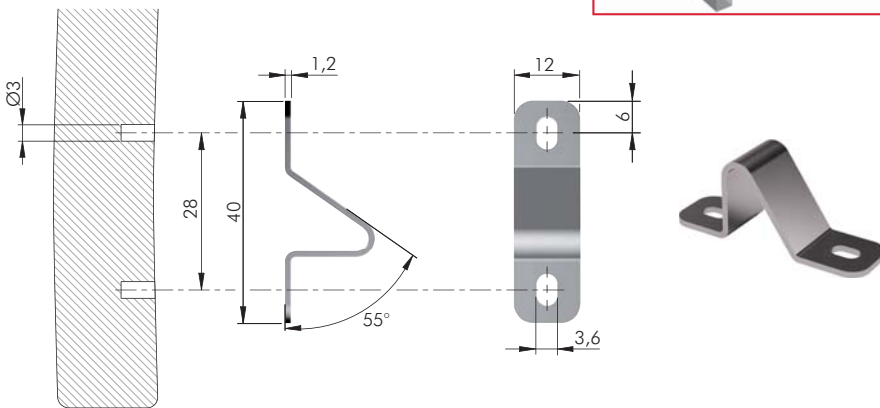
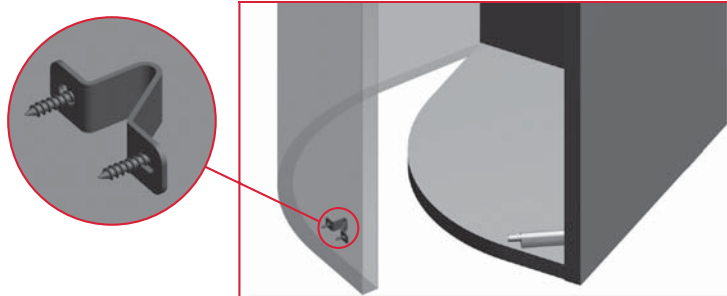
 = PZ1

 = on request

123

60101380YA

PLATE FOR K PUSHTECH WITH ADAPTER HOUSING FOR CURVED DOORS

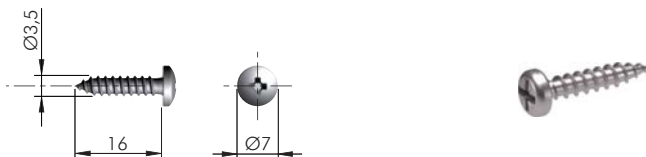


= Ø 3 mm

 = 100 pcs.

123

55006110YA



= Ø 3 mm

 = PZ1

 = on request










123

60103140YA

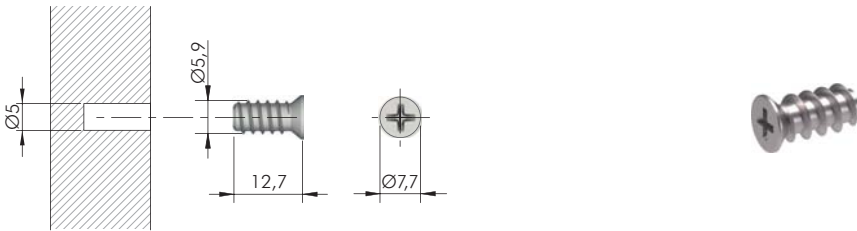











FIXING ACCESSORY FOR K PUSH TECH ADAPTER
PLATES PART NO. 57015040, 57025040



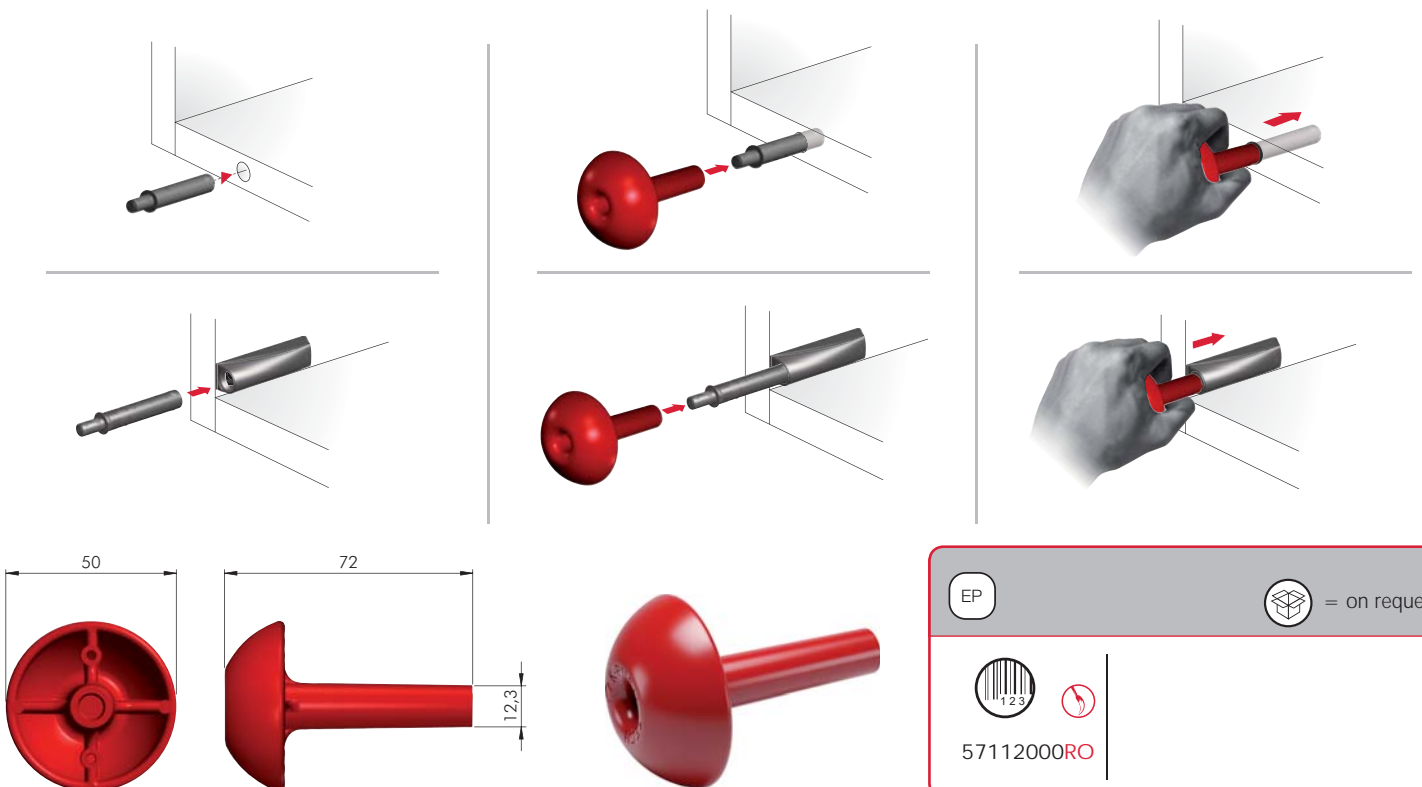
	= Ø 3 mm	+ 
		 = PZ2
		 = 1.000 pcs.
		
60101390ZN		

FIXING ACCESSORY FOR K PUSH TECH ADAPTER
PLATES PART NO. 57015060, 57025060, 57010080



	= Ø 5 mm	+ 
		 = PZ2
		 = 5.000 pcs.
		
60501050YA		

K PUSH TECH INSTALLING TOOL



		 = on request
		
57112000RO		

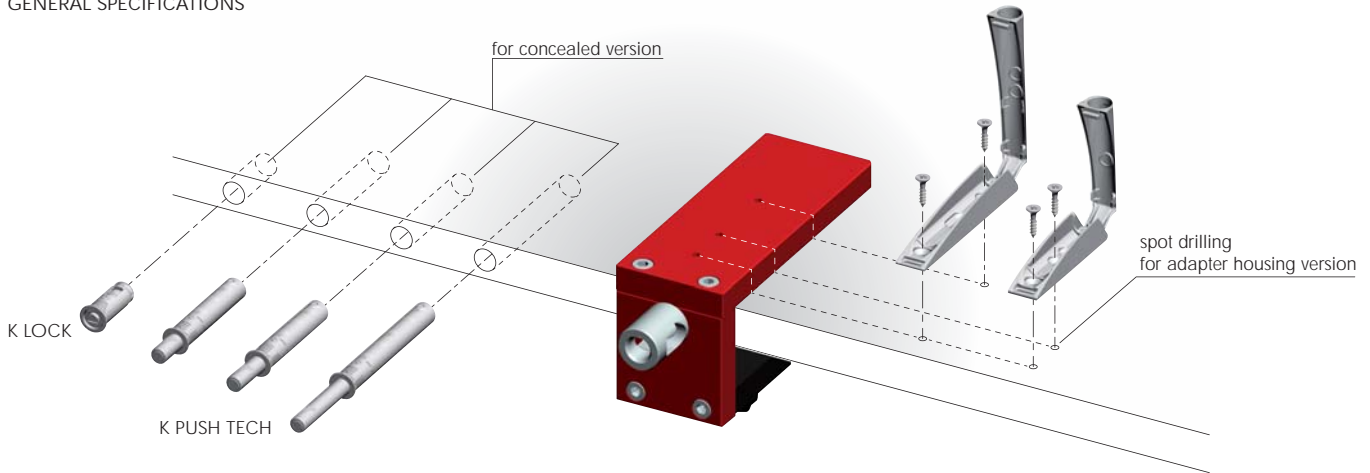


DRILLING JIG FOR K PUSH TECH

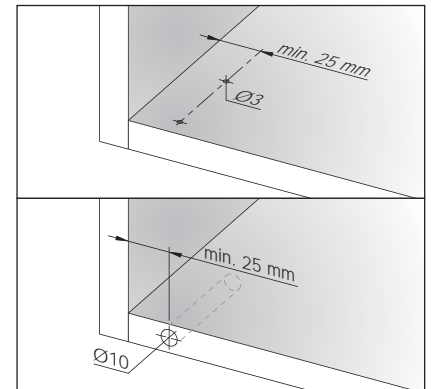
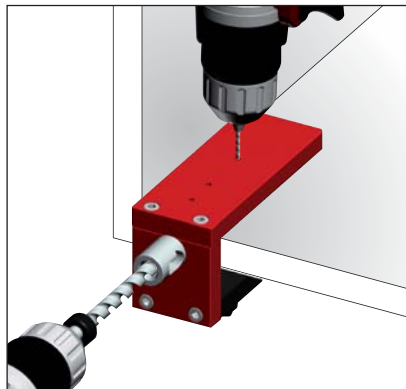
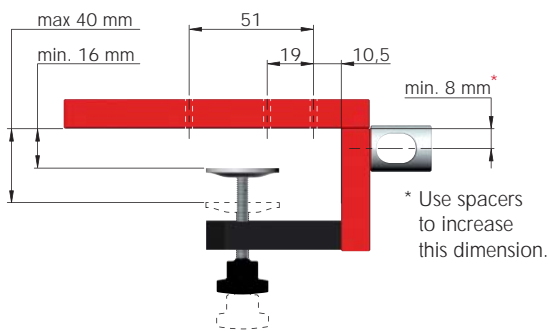


16 - 40 mm 

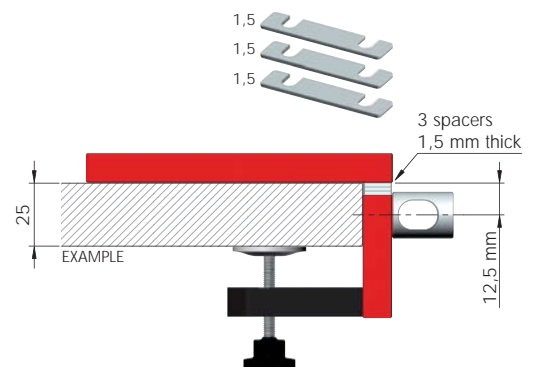
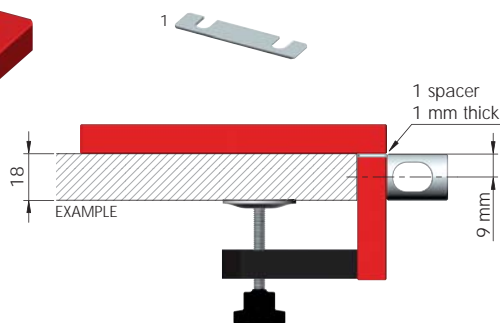
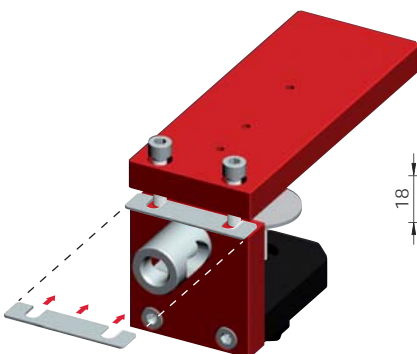
GENERAL SPECIFICATIONS



APPLICATION OPTIONS



DRILLING SPACERS FOR OTHER PANEL THICKNESSES





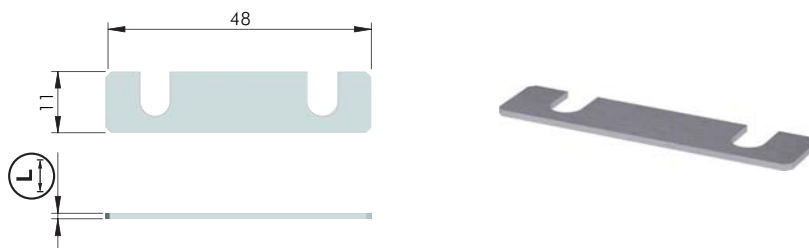
K PUSH TECH DRILLING JIG FOR PANEL THICKNESS 16 AND 18 mm



AL	ST	EP	= on request
YOJG0110RO			

NOTE: The product code includes all the components shown in the picture.

K PUSH TECH DRILLING JIG ACCESSORIES



AL	= on request
YOJG0523GR	1
YOJG0524GR	1,5

DRILLING JIG DEPTH STOP COLLARS



ST	= on request
YOJG051800	Ø10

DRILL BIT



HSS	= on request
YOJG052900	

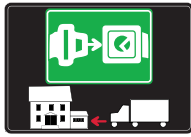
NOTE: For drilling jig we recommend to use precision-ground steel drill bit HSS-G.





SYMBOLS AND FINISHES LEGEND

SYMBOLS



= SHELF SAFELY LOCKED DURING TRANSPORTATION AND AT HOME.



= ANTI-TURNOVER LOCKING SYSTEM



= NORMS / PATENTS



= PHILLIPS / POZIDRIV



= WITH BUFFER



= PART NO.



= BLADE SLOT



= WITH MAGNET



= PCS. PER PACKAGE



= COMBI SLOT



= HEXAGONAL SOCKET



= NEWTON



= CAPACITY LOADING



= HEXALOBULAR SOCKET



= FRICTION



= WOOD / GLASS THICKNESS



= COUNTERSUNK HEAD



= AUTOMATIC



= HOLE DIAMETER



= PAN HEAD



= DROP DOWN



= DIAMETER



= FLANGE HEAD



= LENGTH



= FLAT HEAD



= STANDARD HINGE



= HEIGHT



= TRILOBULAR SCREW



= KIMANA HINGE



= RIGHT VERSION



= SELF-TAPPING SCREW



= FLAP HINGE



= LEFT VERSION



= EURO THREAD



= WITH SPRING



= SETTING CODE



= METRIC THREAD



= WITHOUT SPRING



= PCS. PER PAD



= PRE-INSERTED SCREW



= REVERSED SPRING



= CUT ON REQUEST



= PRE-INSERTED SCREW AND SPREADING BUSH



= SELF ADHESIVE



= WITH FLANGE

NOTE: Printing errors and omissions may exist despite our best efforts to ensure accuracy. We reserve the right to alter specifications without notice.

MATERIALS

ZA = Zinc Alloy	ST = Steel	HSS = High Speed Steel	BR = Brass	ABS = Acrylonitrile Butadiene Styrene	TPU = Thermoplastic Polyurethane
ZAnk = Nickel-plated Zinc Alloy	STzk = Zinc-plated Steel	AL = Aluminium	WD = Wood	EVA = Ethylene Vinyl Acetate	
EP = ENGINEERING PLASTIC		+ EP = other engineering plastic available on request		SR = SOFT RUBBER	+ SR = other soft rubber available on request

EPn = Natural Engineering Plastic	EPc = Clear Engineering Plastic	SRn = Natural Soft Rubber
EPw = White Engineering Plastic	EPg = Grey Engineering Plastic	SRw = White Soft Rubber
EPb = Black Engineering Plastic	EPa = Anthracite Engineering Plastic	SRb = Black Soft Rubber

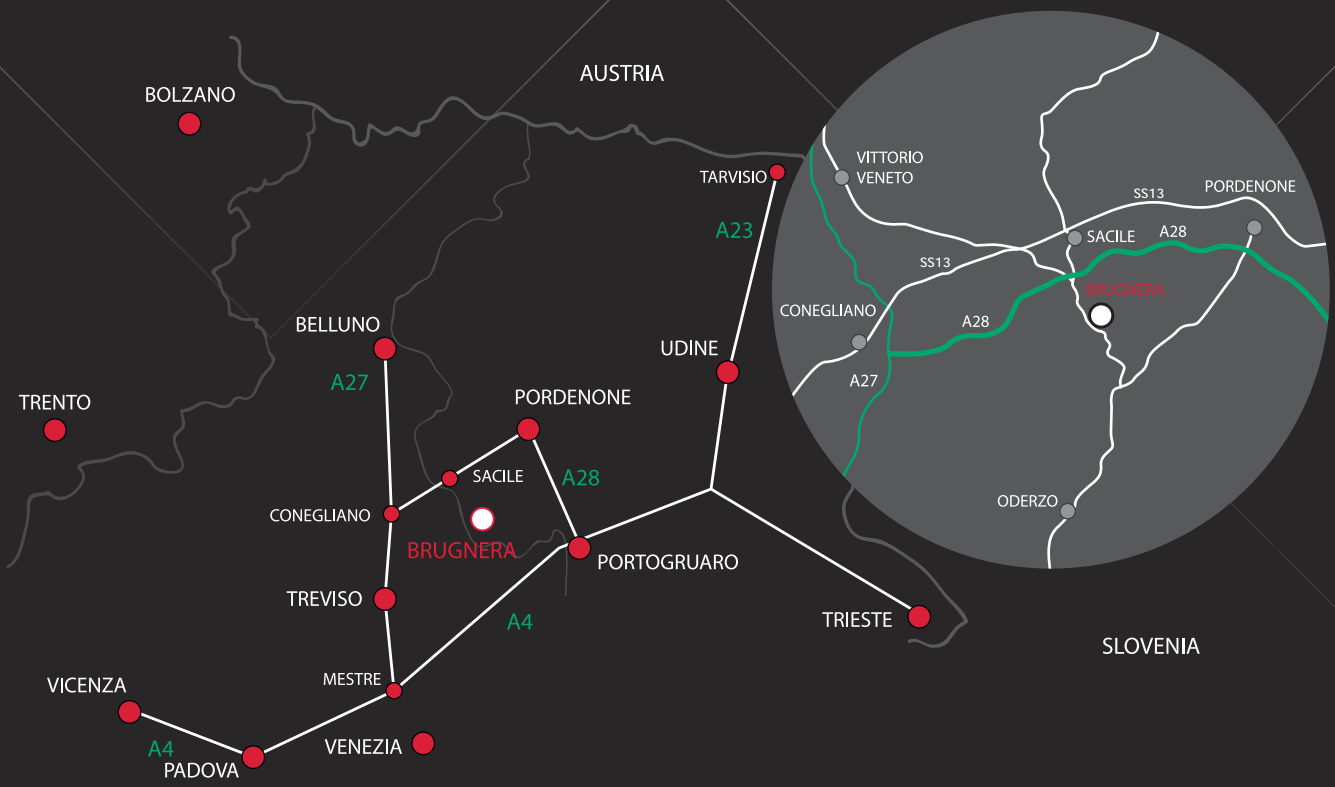


FINISHES



+ OTHER FINISHES AVAILABLE ON REQUEST

PART NO.	FINISHES	PART NO.	FINISHES	PART NO.	FINISHES
00	Insignificant finish	IF	Grey 7	XE	Inox
AA	Natural	IJ	Light Grey	YA	Nickel-plated
AB	White	IL	Grey 20	YC	Matt Nickel-plated
AE	White 9010	IN	Grey met. 26	YD	Satin-finished Nickel-plated
EA	Black	JG	Aluminium 5	YQ	Black Nickel
EC	Matt Black	JL	Aluminium PE 11	Z9	Black Zinc
EE	Anthracite	JM	Aluminium RAL 9006	ZN	Zinc-plated
EW	Grey 9007	KB	Bright Chrome	ZQ	Bright Gold
FU	Gunmetal	KC	Matt Chrome	ZZ	Clear/Transparent
FV	Gunmetal V52	LD	Brown 8019		
GR	Zamak Raw	RO	Red		
HA	Brass-Plated	UT	T-Met 9007		
HH	Tropicalized	UZ	T-Met		
HL	Raw Brass	WA	Bronzed		
HX	Graphite	WI	Burnished		
IA	Grey	XD	Satin-finished Steel		



www.italianaferramenta.com

ITALIANA FERRAMENTA SRL - Viale Europa 17 I - 33070 Brugnera (PN)
 Tel. +39 0434 428211 Fax +39 0434 428242 E-mail: info@italianaferramenta.it